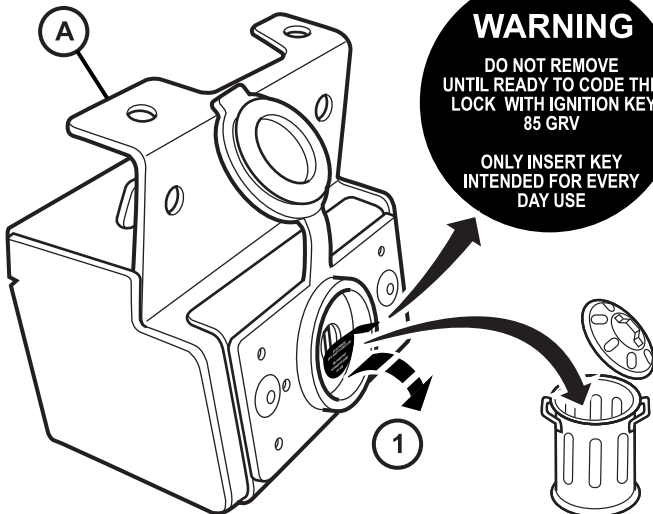
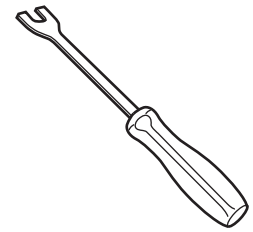
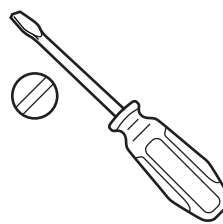
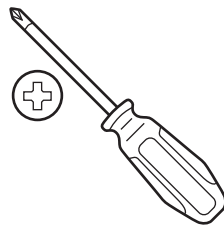
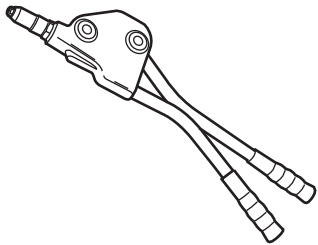
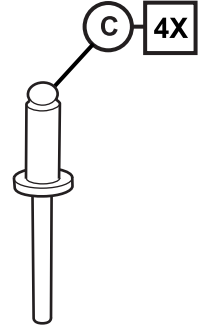
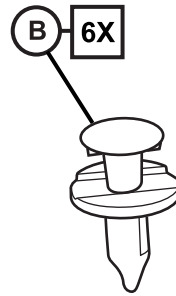
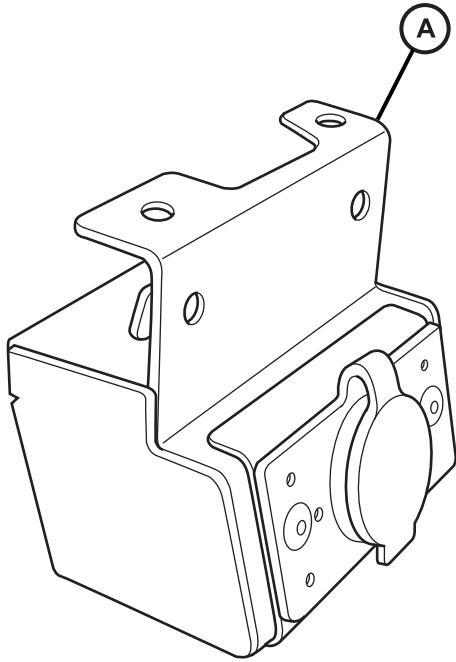




JEEP WRANGLER

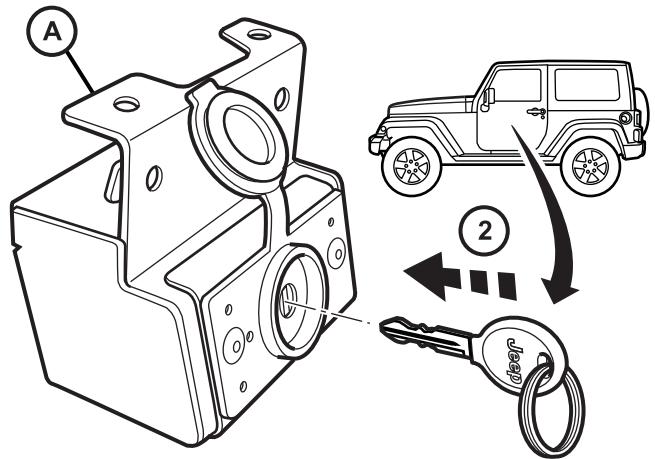
Hood Lock Kit



WARNING
DO NOT REMOVE
UNTIL READY TO CODE THE
LOCK WITH IGNITION KEY
85 GRV
ONLY INSERT KEY
INTENDED FOR EVERY
DAY USE

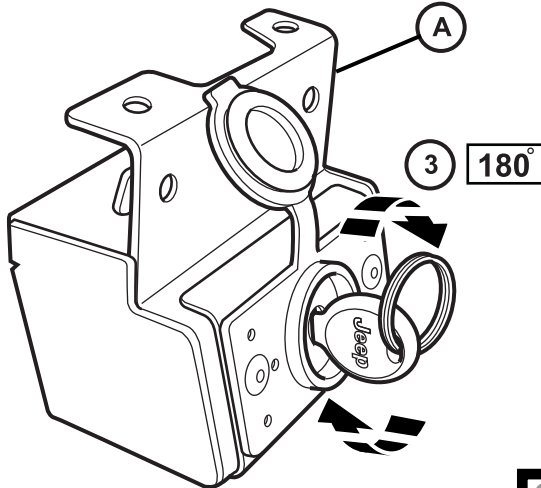
1 READ WARNING LABEL AND REMOVE IT.

PROCEDURE TO CODE THE LOCK CYLINDER

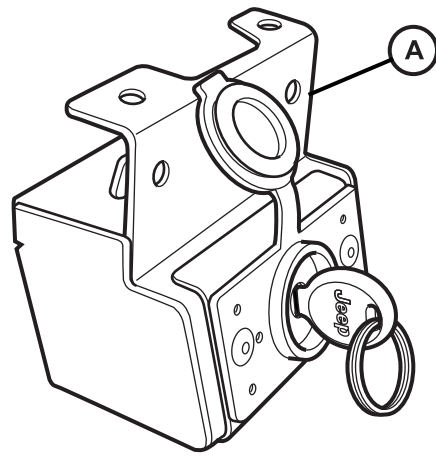


2 FULLY INSERT THE IGNITION KEY.

PROCEDURE TO CODE THE LOCK CYLINDER



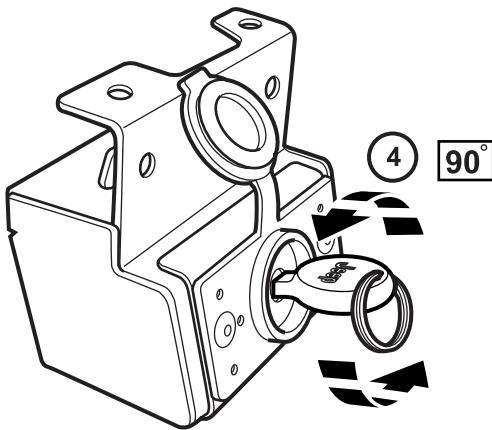
3 TURN THE KEY 180° CLOCKWISE.



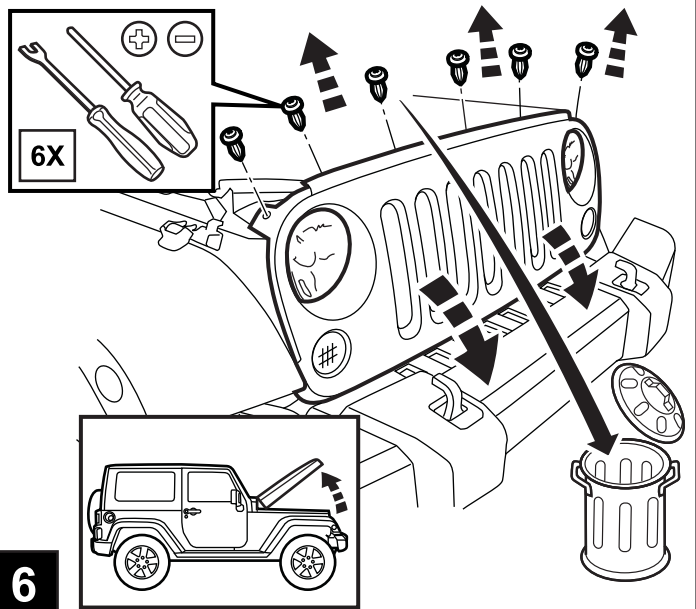
KEY IS IN LOCKED POSITION. THE KEY CAN ONLY BE REMOVED IN THE LOCKED POSITION.

4 LOCK IS NOW CODED TO YOUR IGNITION KEY

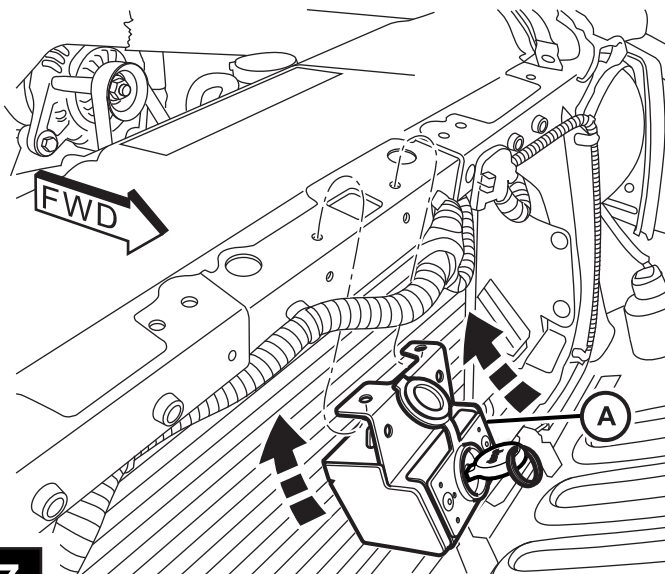
CYCLE LOCK WITH KEY PRIOR TO RIVETING TO CROSSMEMBER TO ENSURE SUCCESSFUL CODING



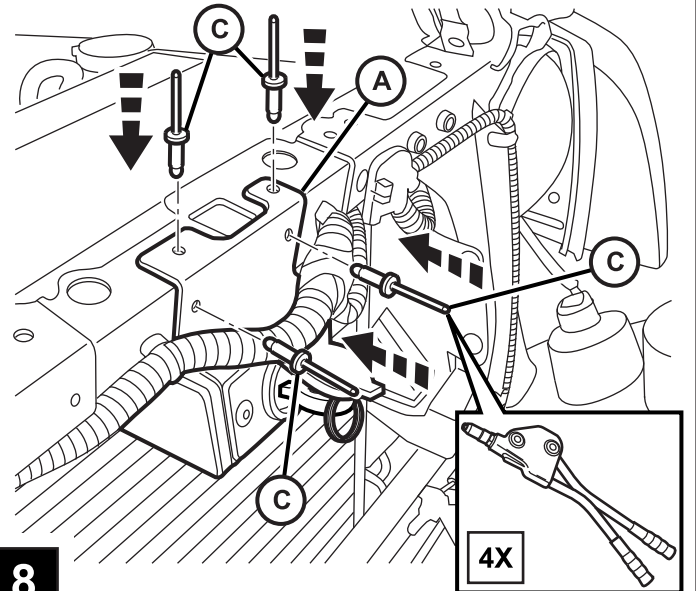
5 TURN KEY COUNTER CLOCKWISE 90°. KEY IS NOW IN UNLOCKED POSITION AND CAN NOT BE REMOVED.



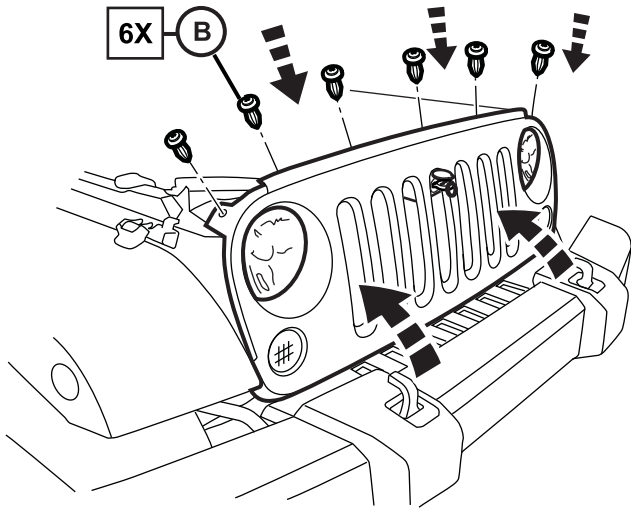
6



7

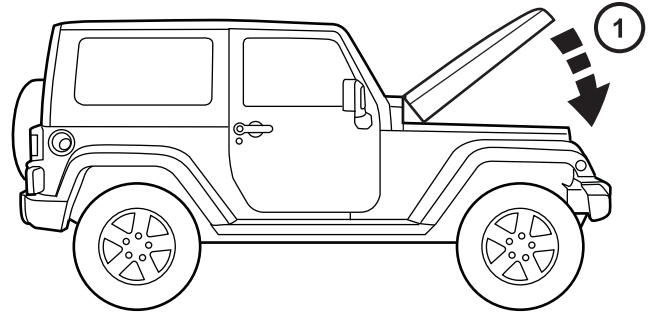


8



9

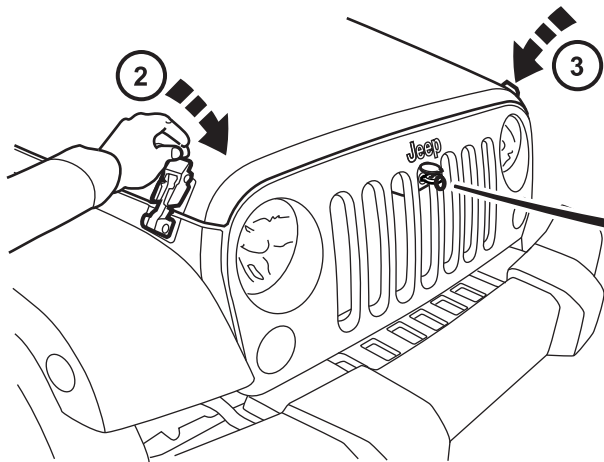
PROCEDURE TO LOCK HOOD



10

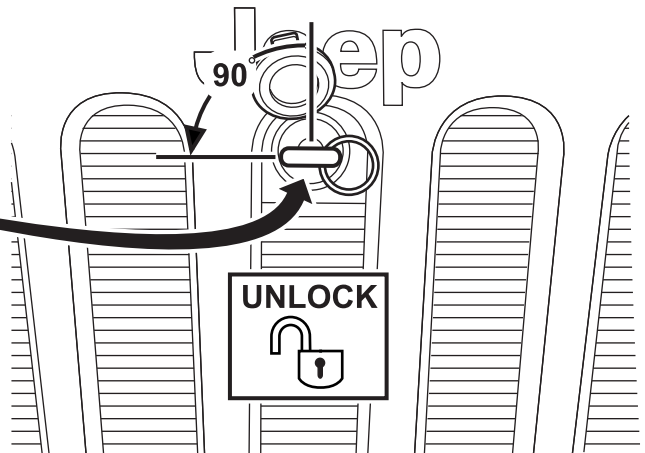
CLOSE HOOD.

PROCEDURE TO LOCK HOOD



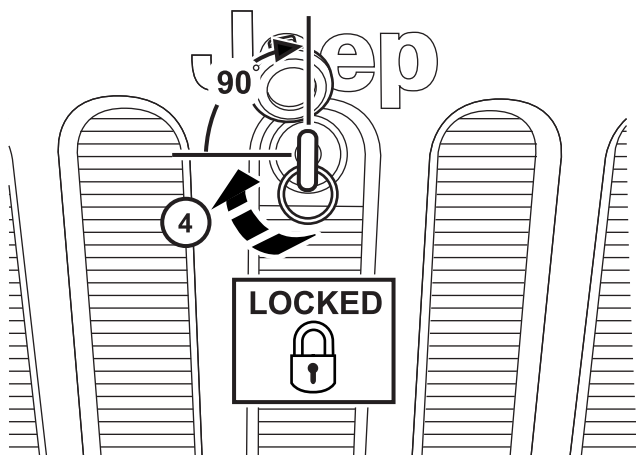
11

CLOSE THE HOOD SIDE LATCHES. HOOD IS CLOSED BUT NOT LOCKED. THE LOCK CYLINDER IS IN THE UNLOCKED POSITION.



NOTE: KEY CAN NOT BE REMOVED IN THE HORIZONTAL CYLINDER POSITION.

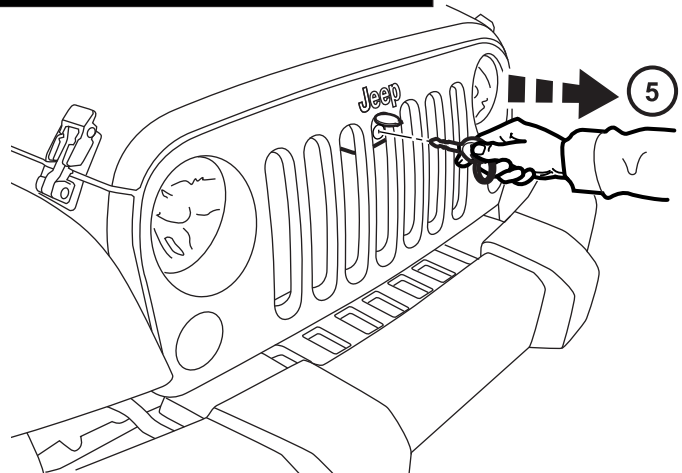
PROCEDURE TO LOCK HOOD



12

TURN KEY CLOCKWISE 90° TO LOCK.

PROCEDURE TO LOCK HOOD



13

HOOD IS NOW LOCKED. KEY CAN NOW BE REMOVED.