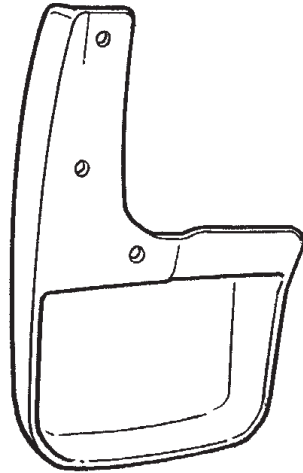




JEEP / LIBERTY

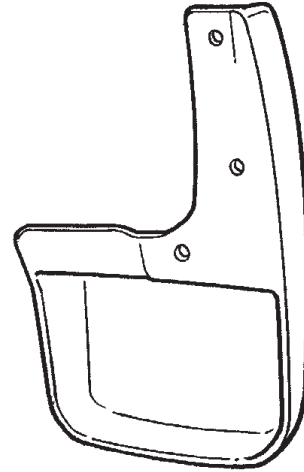
Rear Splashguard

Rear Right

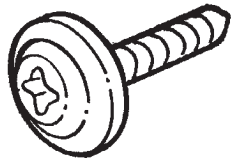


A

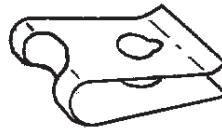
Rear Left



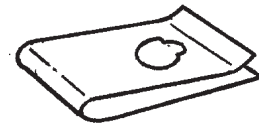
B



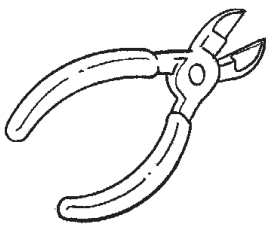
C 8X



D 2X



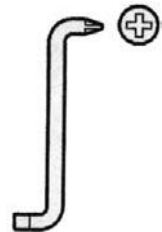
E 4X



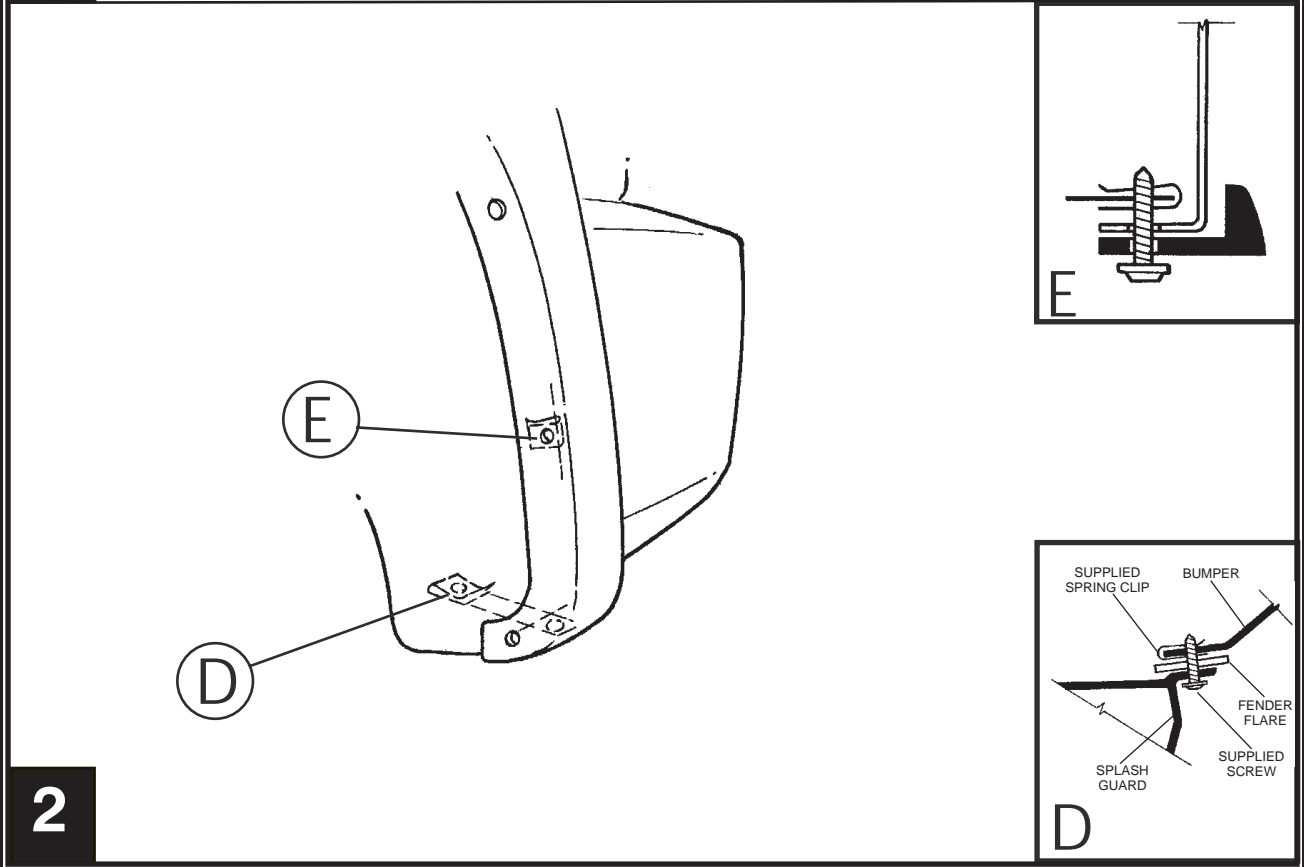
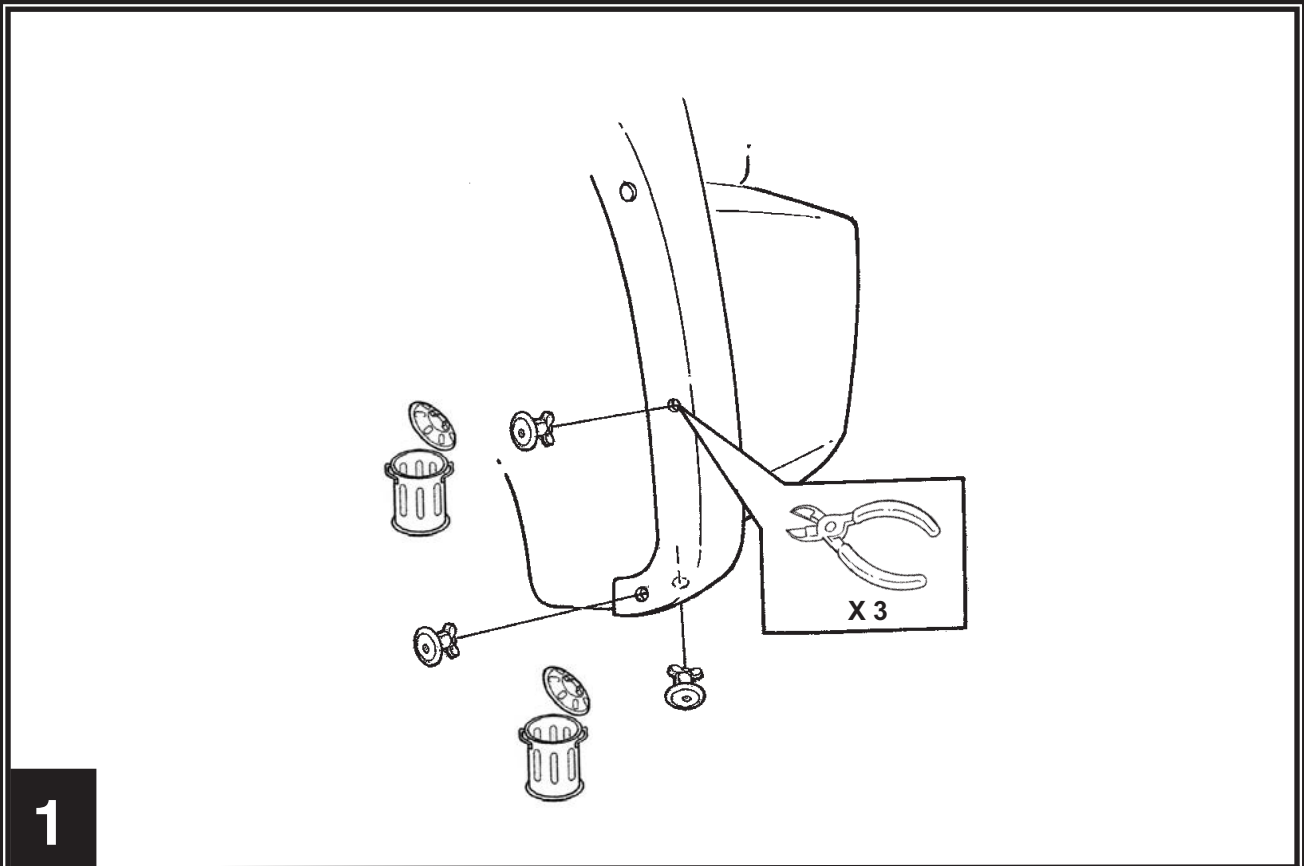
3/32" (2.5 mm)

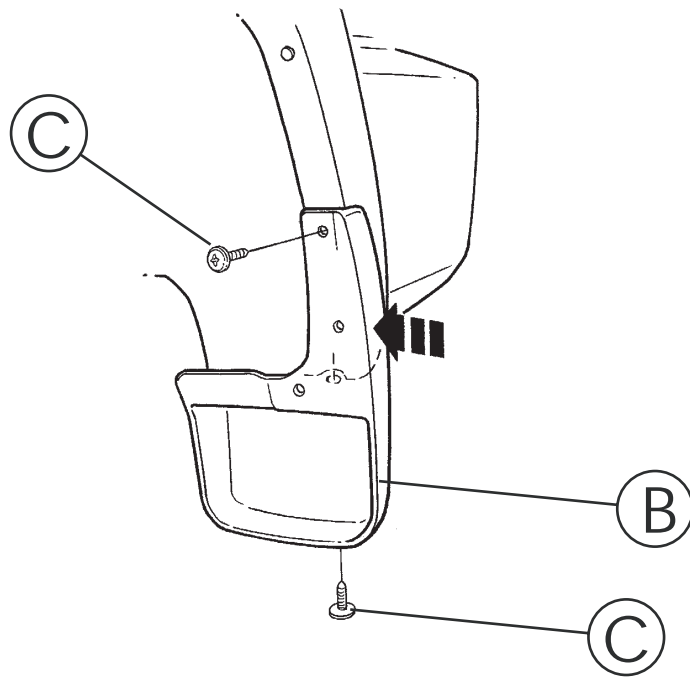


#2 Phillips
Screw Driver

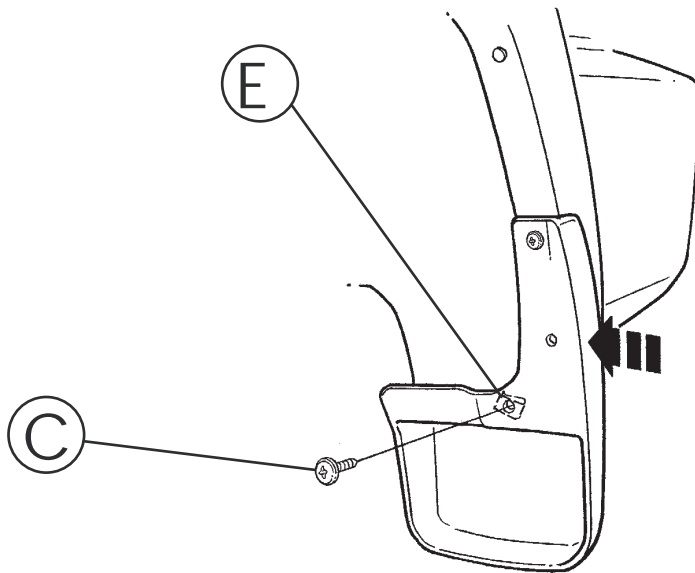


#2

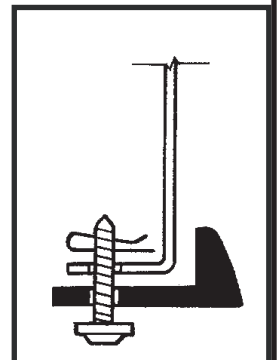


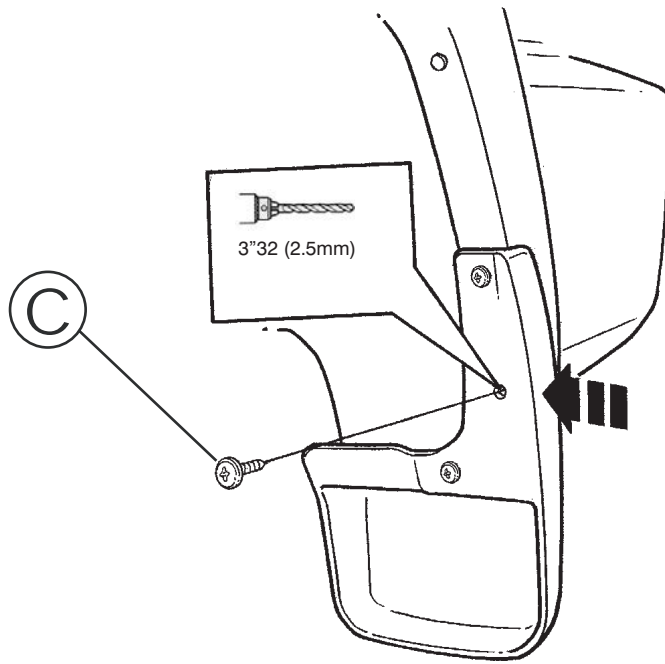


3



4





5