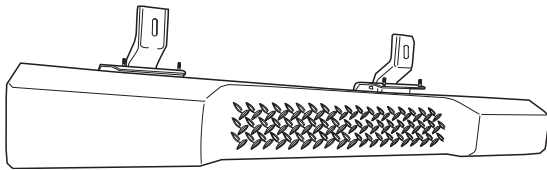


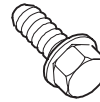


MOPAR®

# Jeep Wrangler Running Board - 2 Door



**A** LH



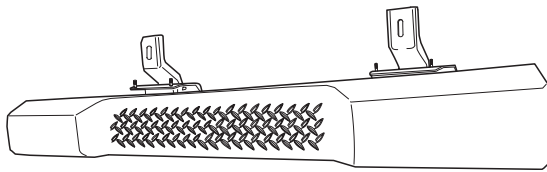
**C** 4x



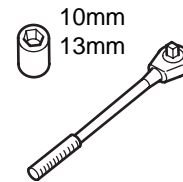
**D** 4x



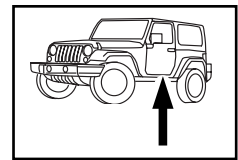
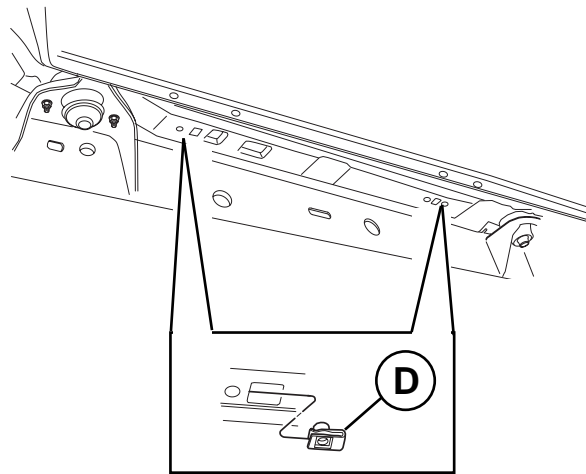
**E** 8x



**B** RH

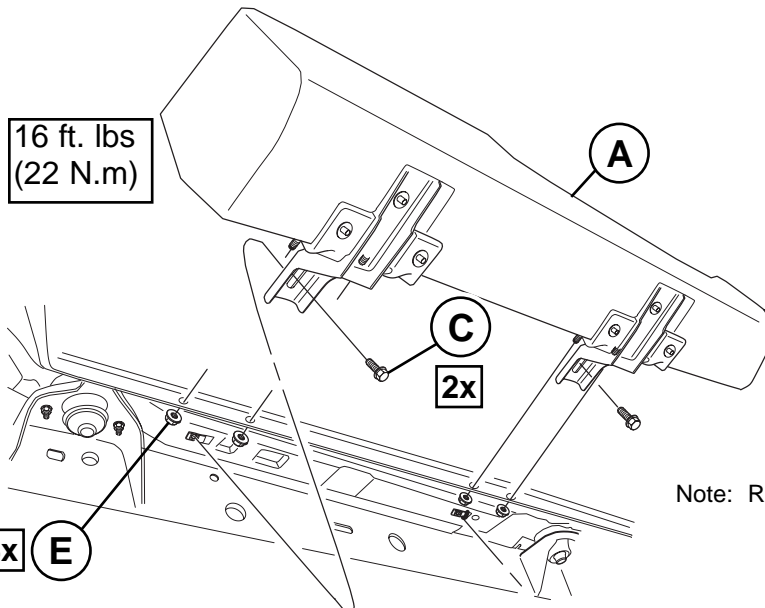


10mm  
13mm



Note: Repeat for other side

**1**



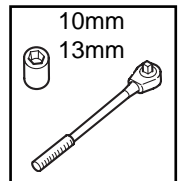
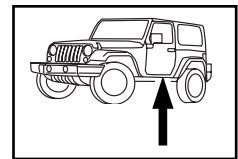
16 ft. lbs  
(22 N.m)

**A**

**C**  
2x

8 ft. lbs  
(11 N.m)

**E**  
4x



10mm  
13mm

Note: Repeat for other side

**2**