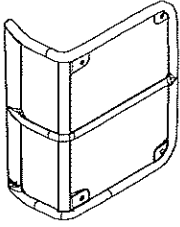
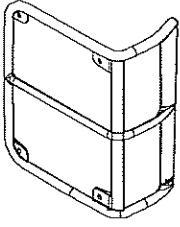
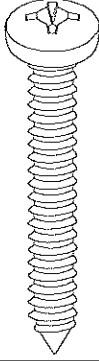

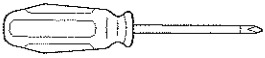




WRANGLER TAIL LENS GUARD

1X A 	1X B 	4X C 	 T20 
--	--	---	---

