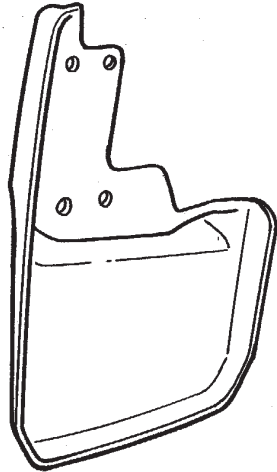




JEEP WRANGLER

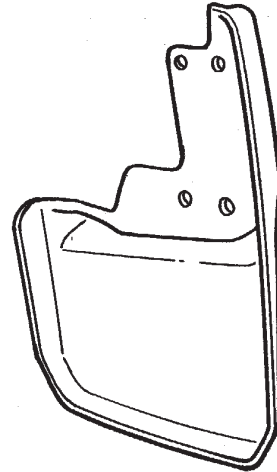
Rear Splashguard

Rear Right



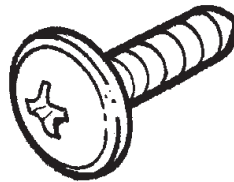
A

Rear Left



B

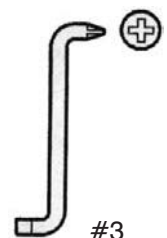
C 10X



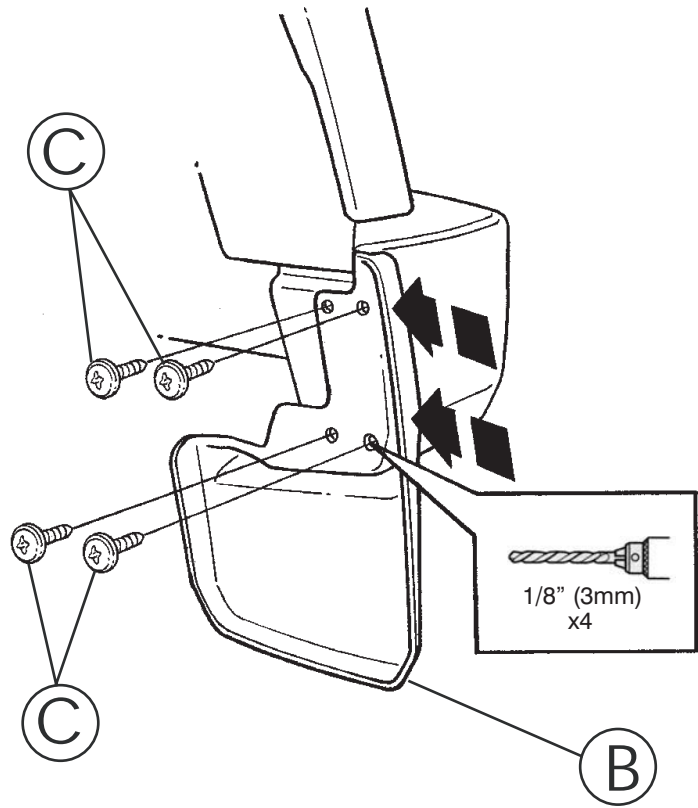
1/8" (3mm)



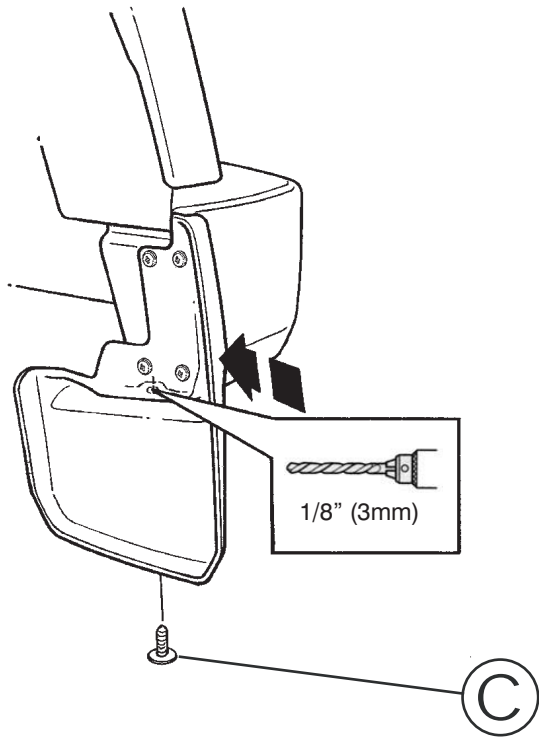
#3



#3



1



2