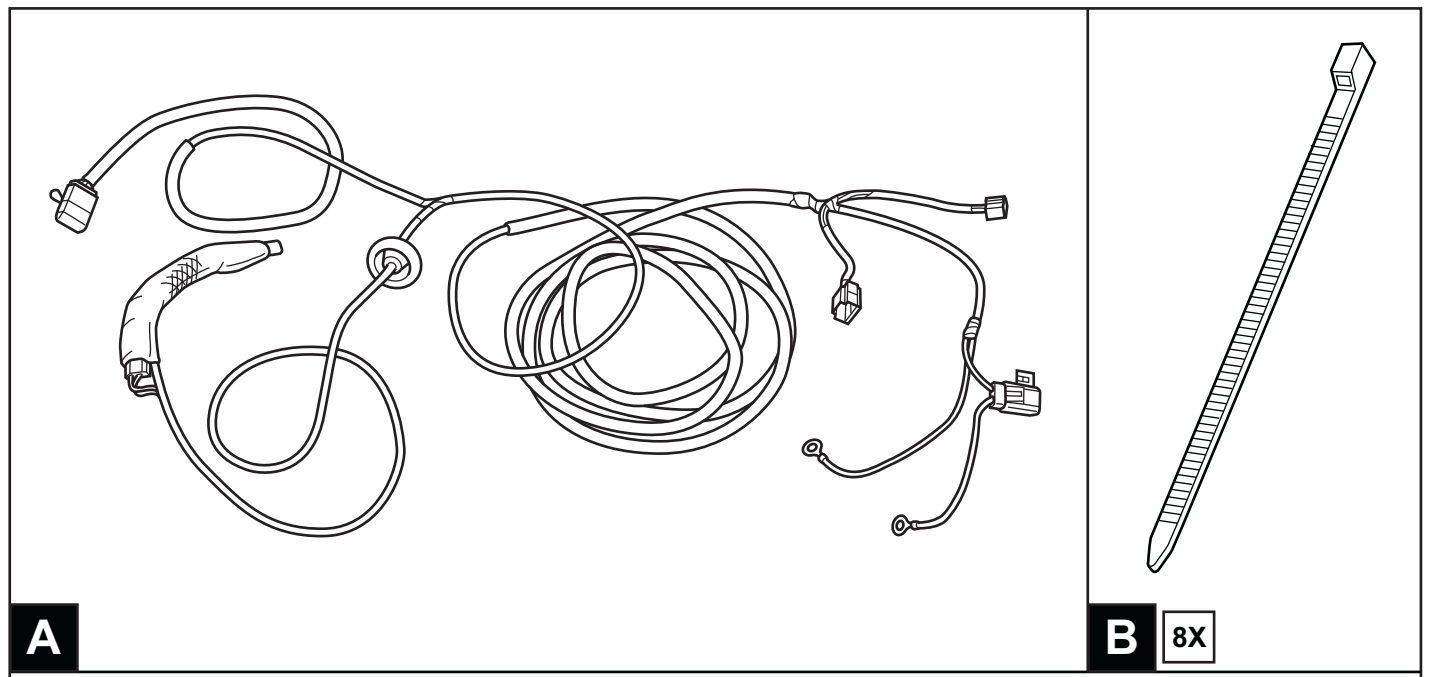


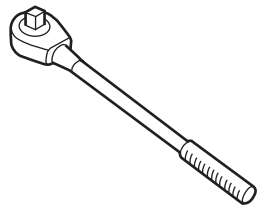

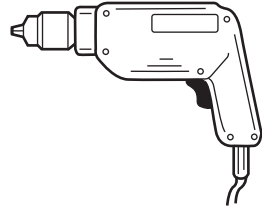
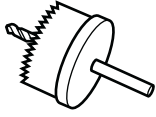
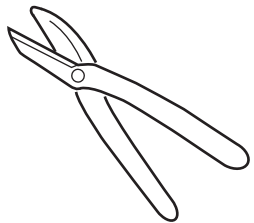
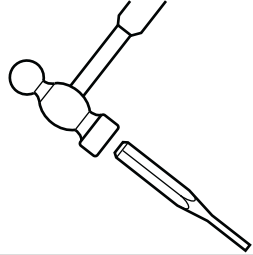
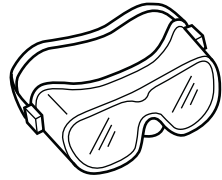
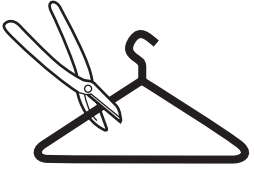


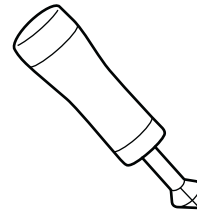

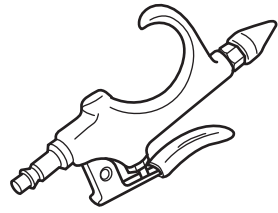



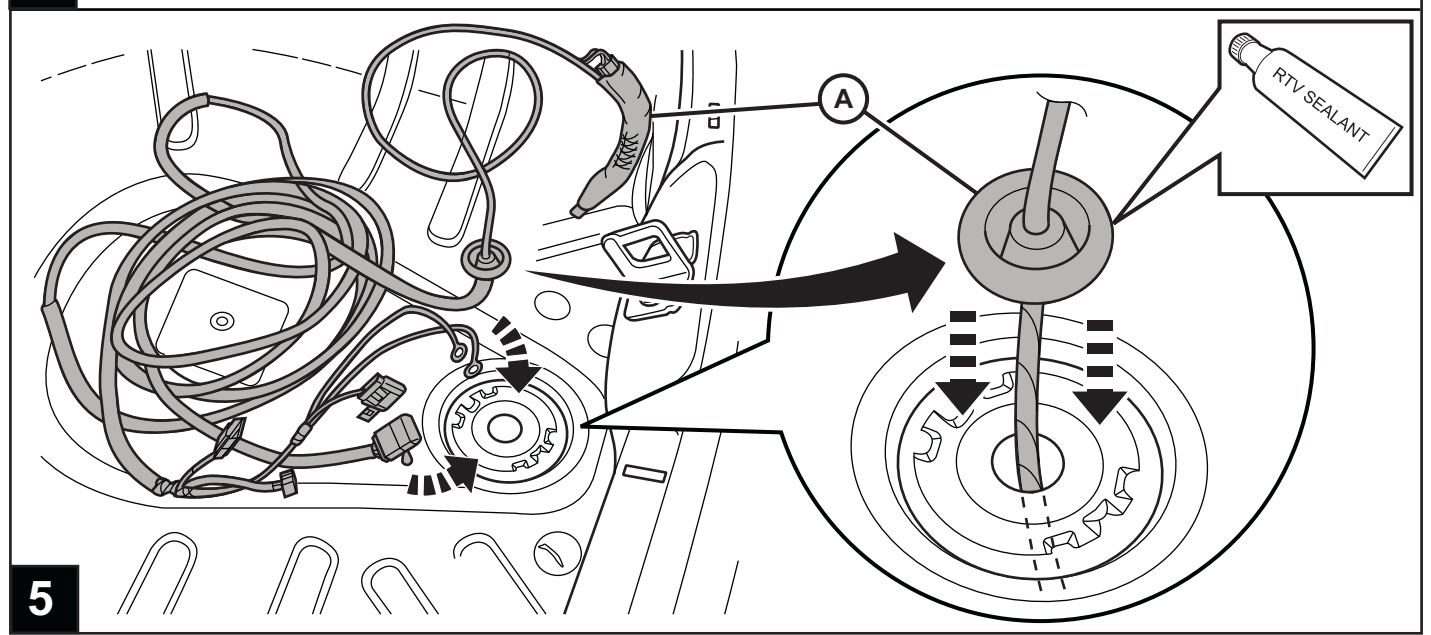
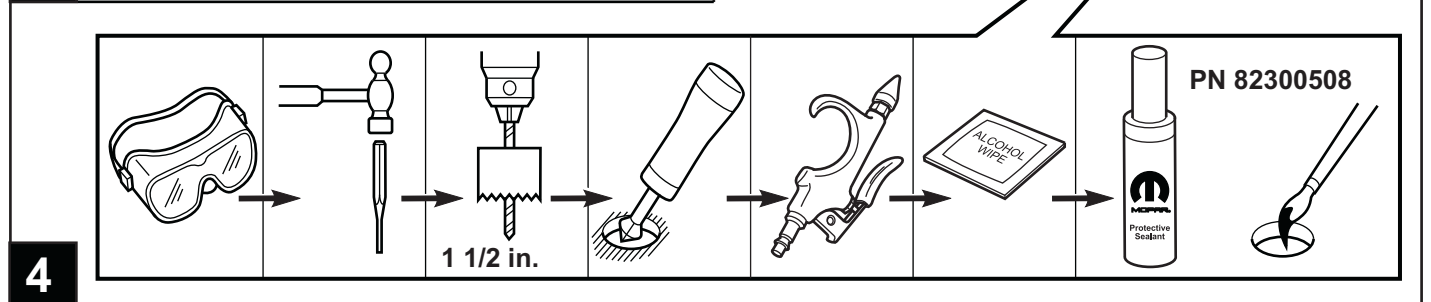
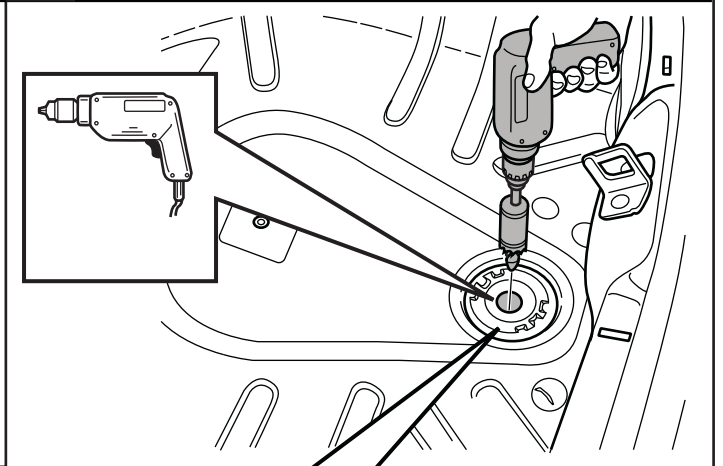
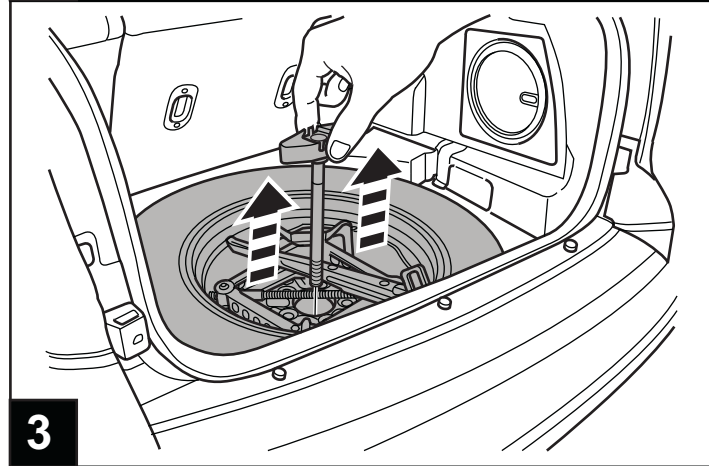
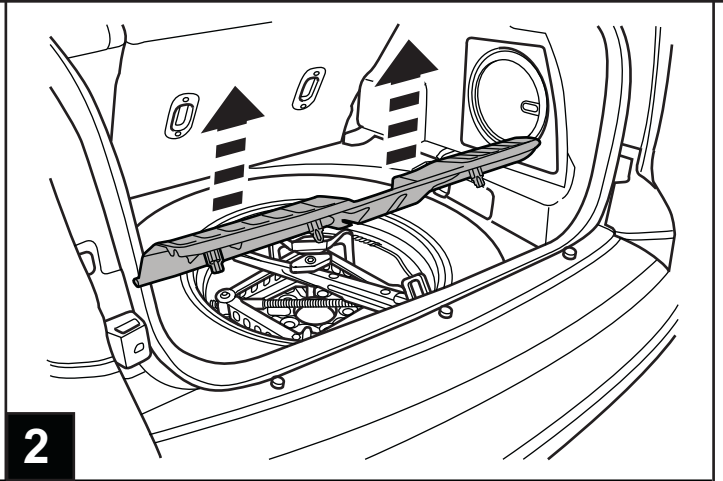
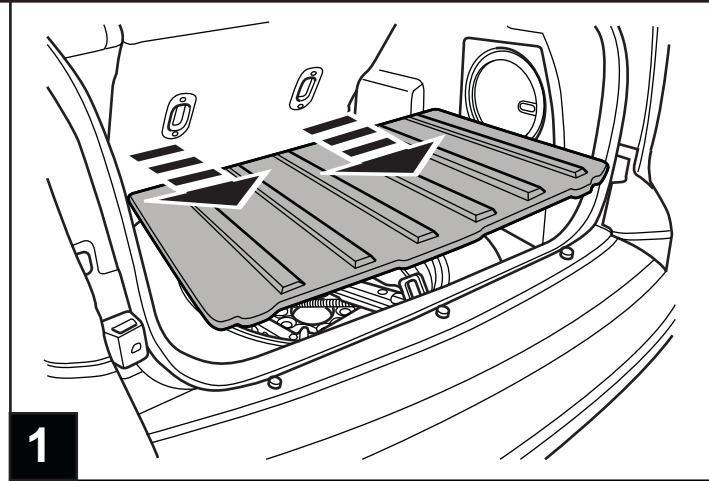
MOPAR®

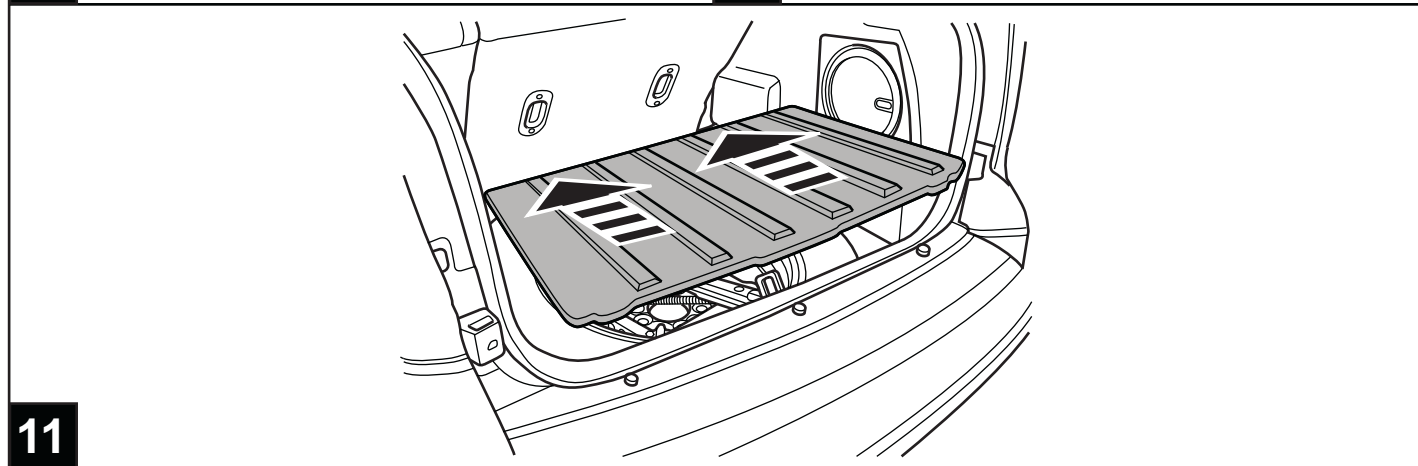
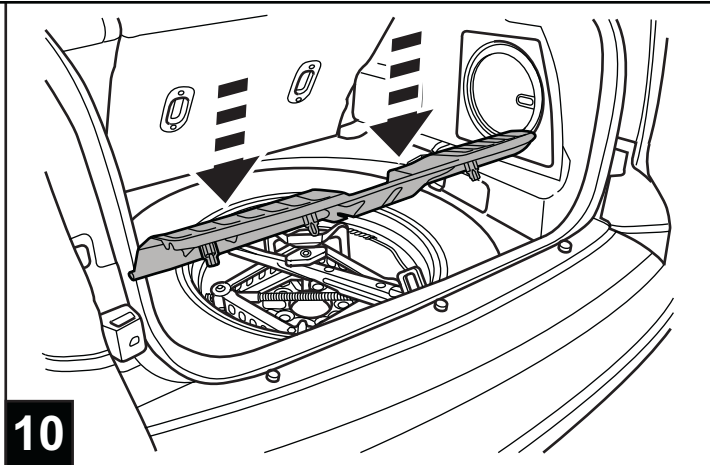
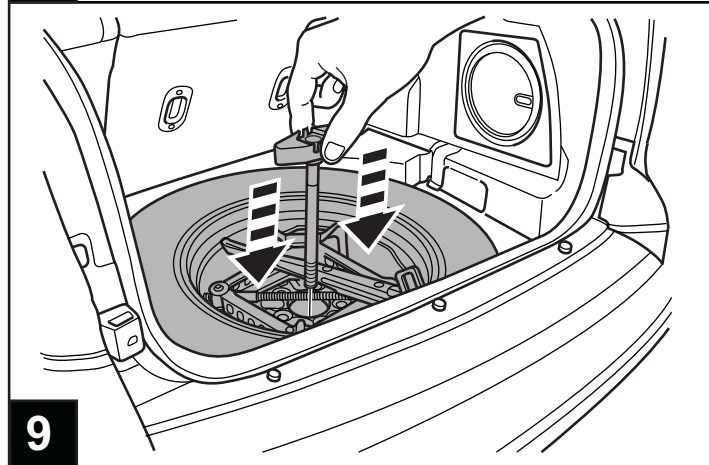
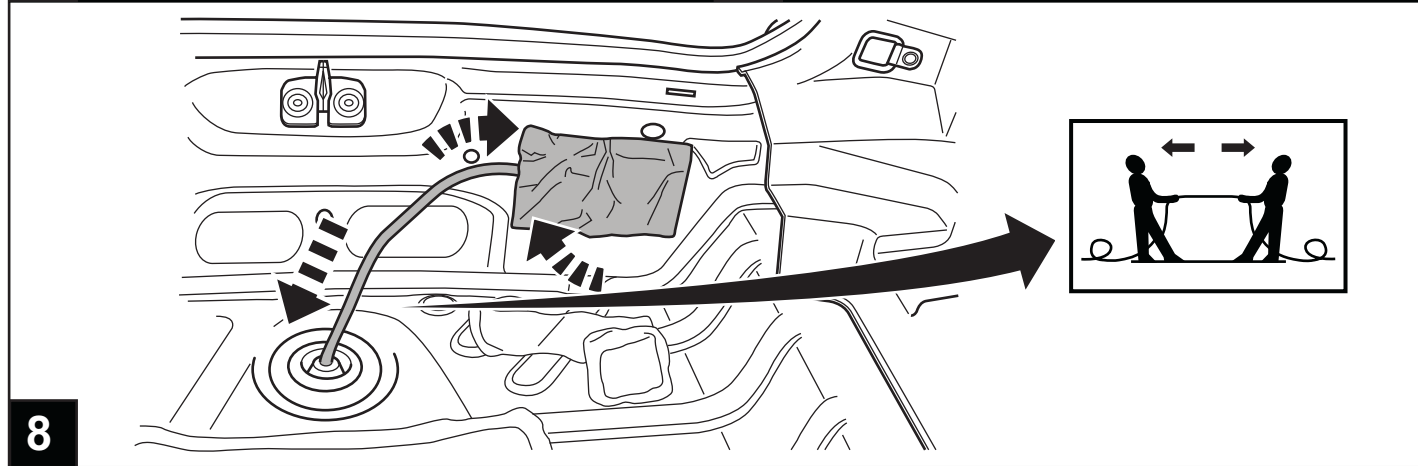
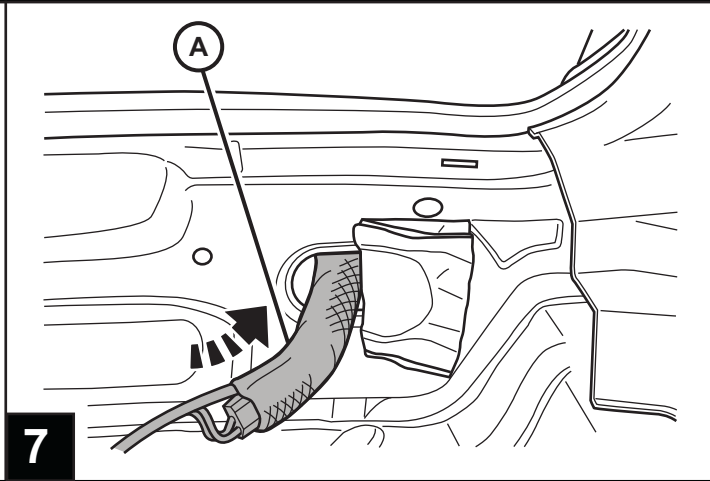
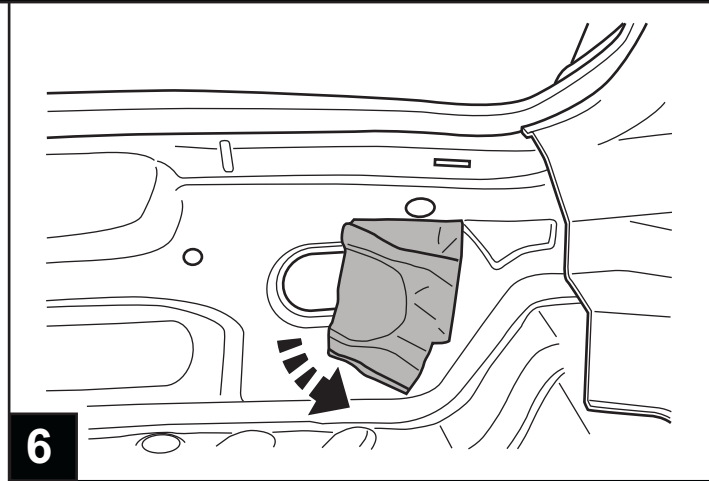
# JEEP COMPASS/PATRIOT

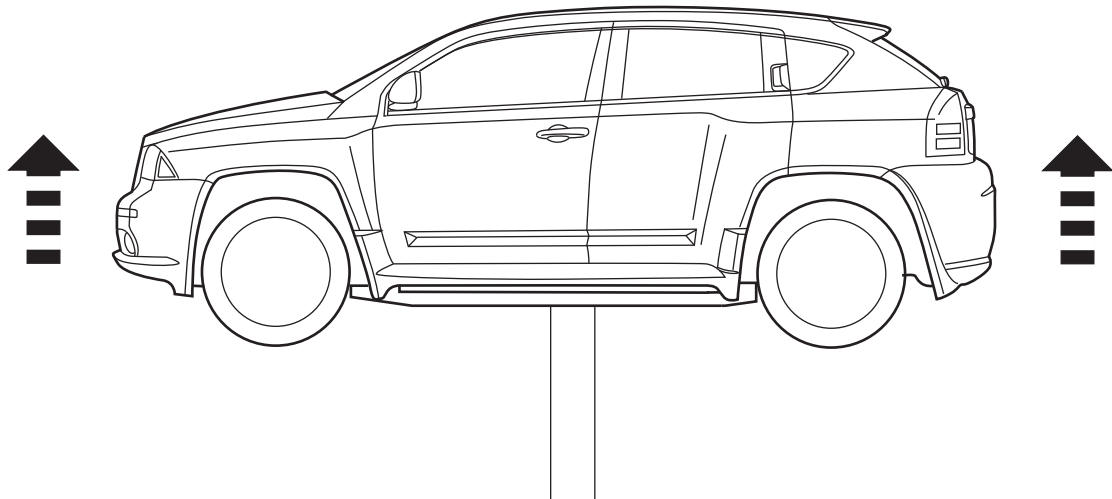
## Trailer Tow Harness



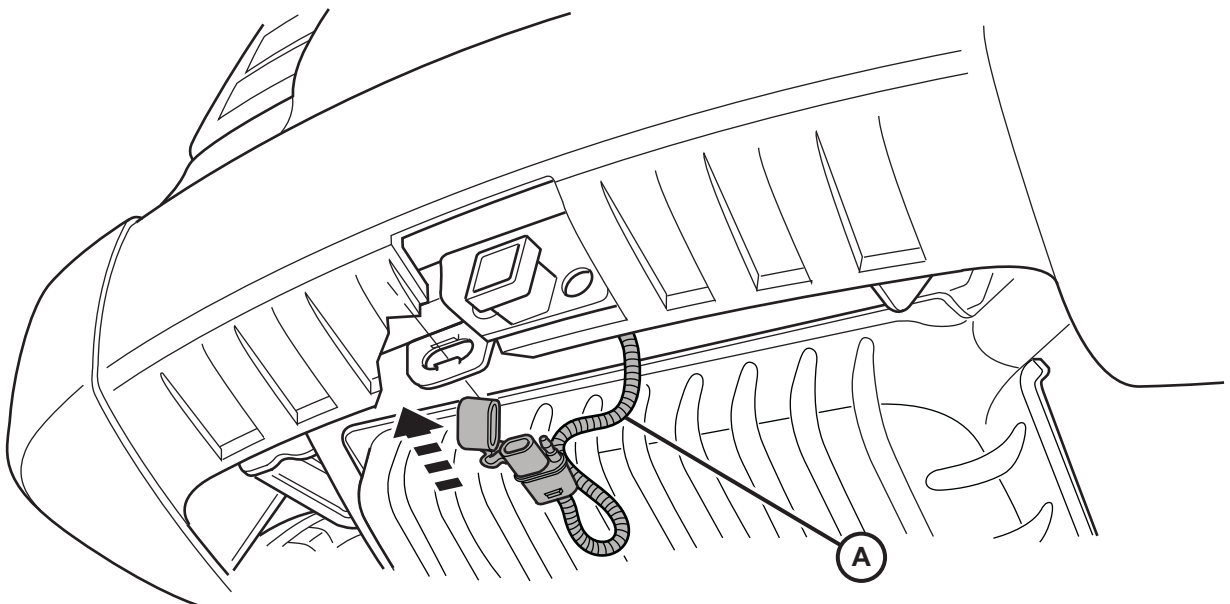
	 <p>10 mm</p>		 <p>1 1/2 in.</p>
			
 <p>RTV SEALANT</p>			 <p>PN 82300508</p>
		 <p>ALCOHOL WIPE</p>	



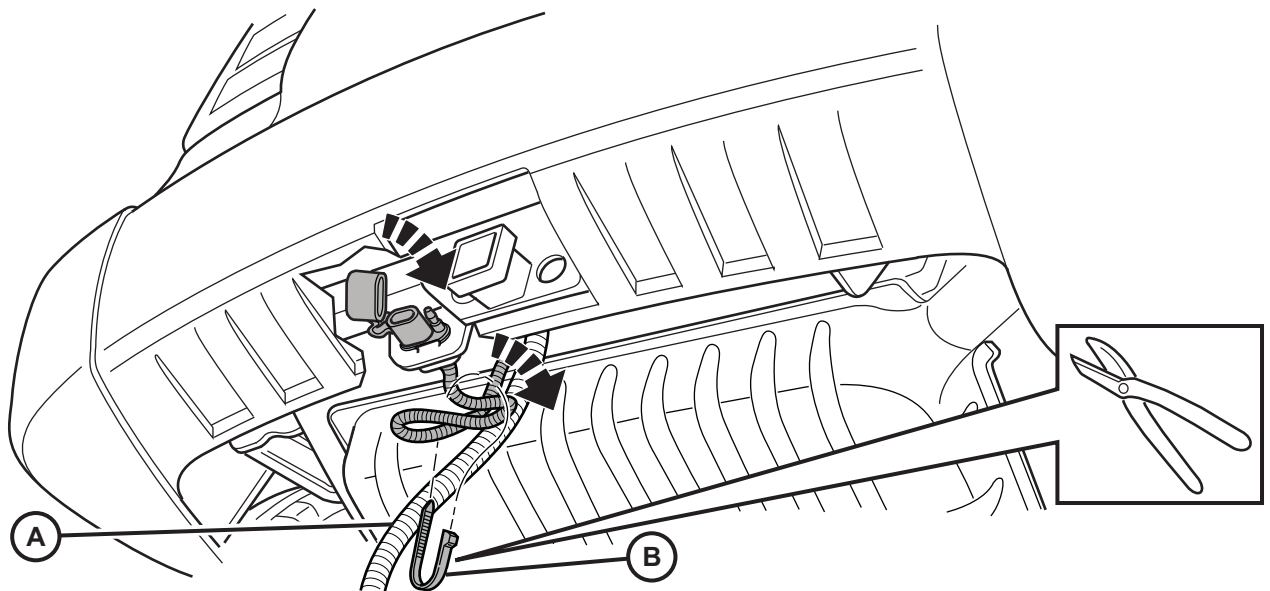




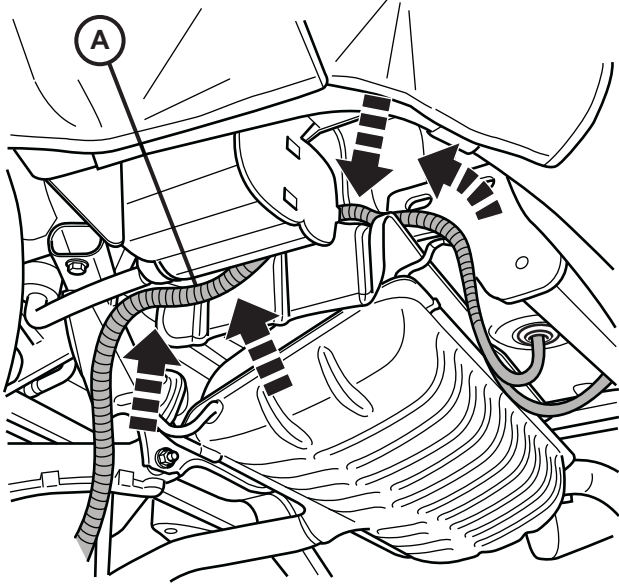
12



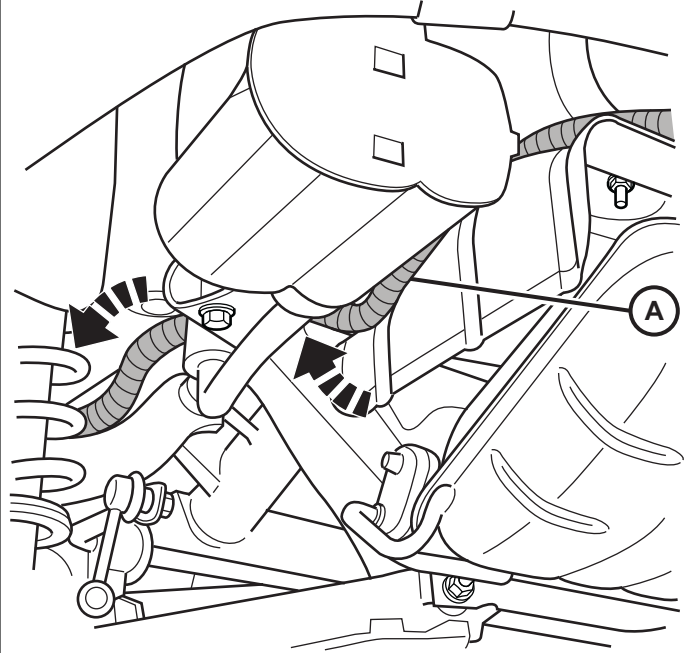
13



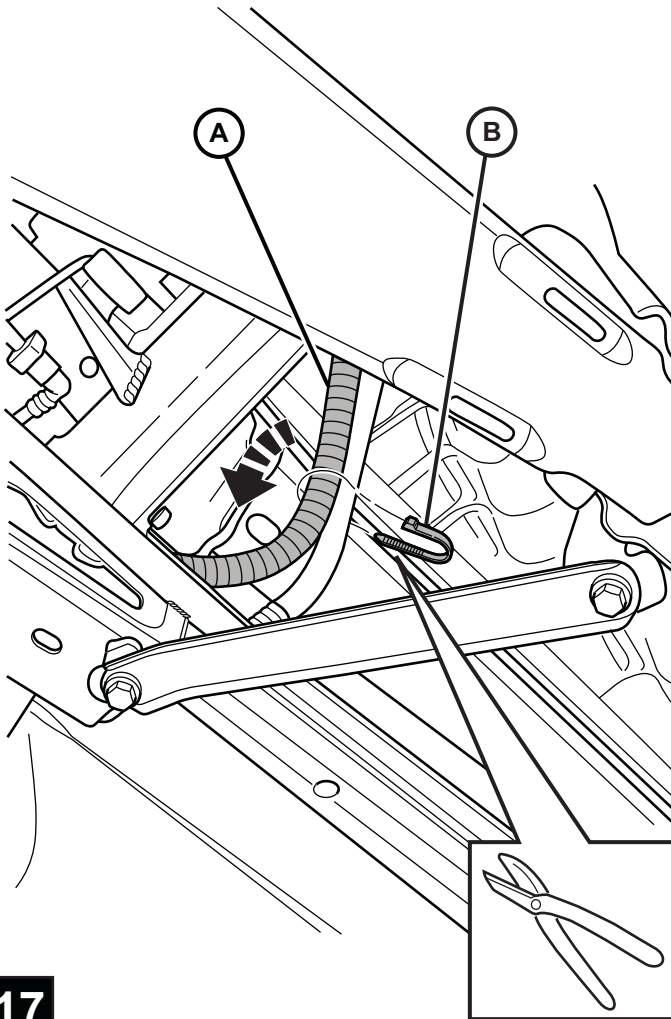
14



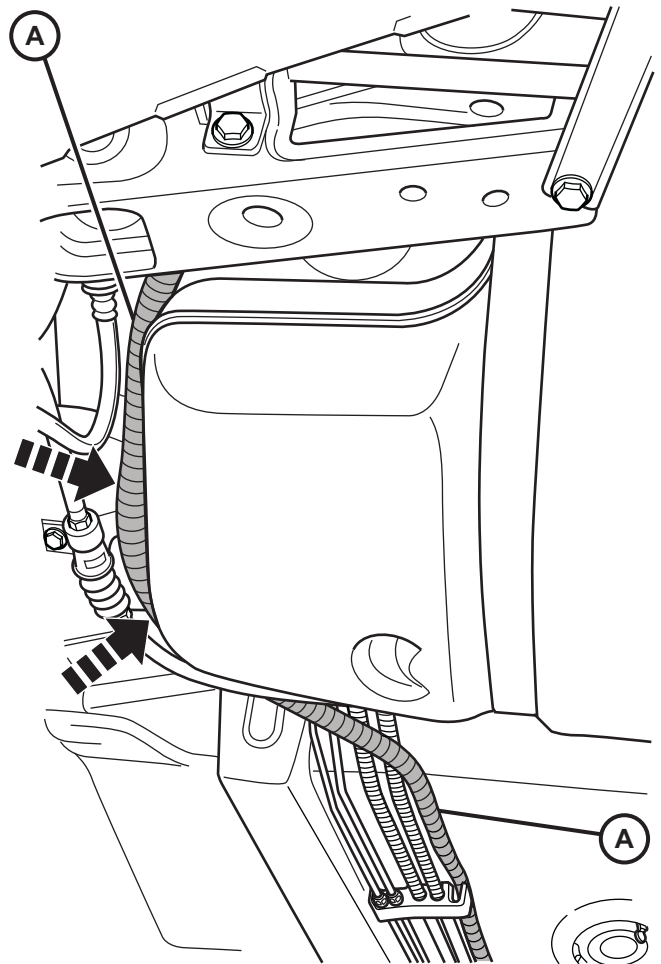
15



16



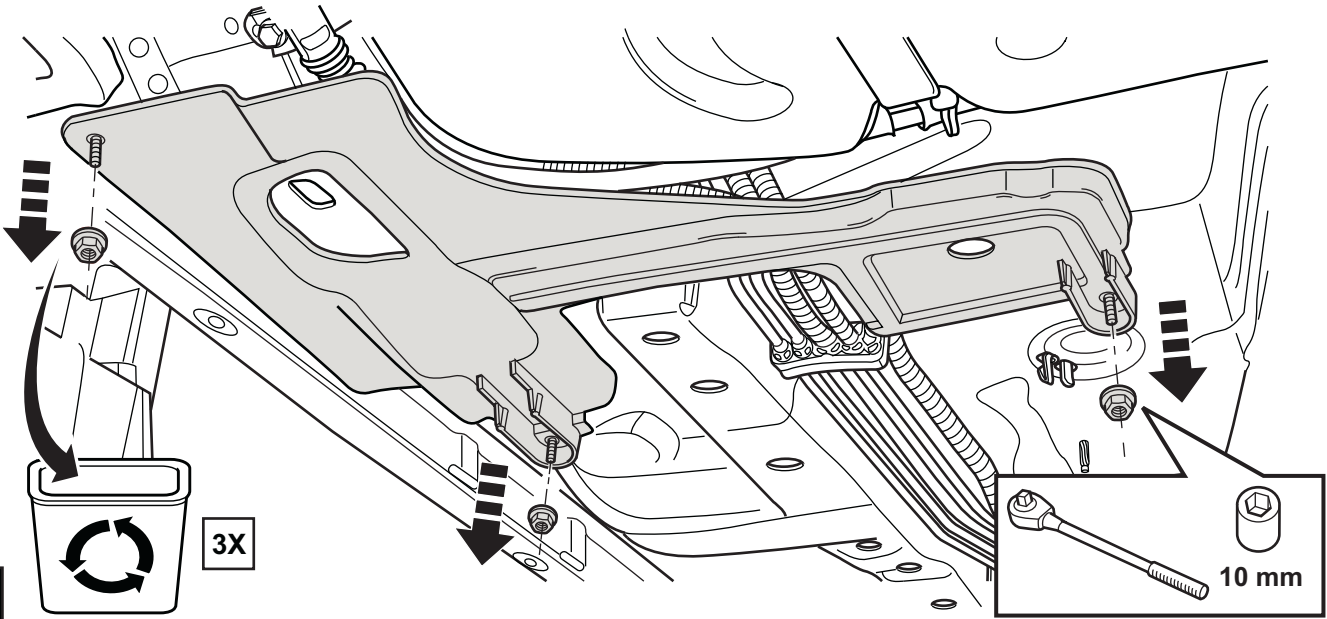
17



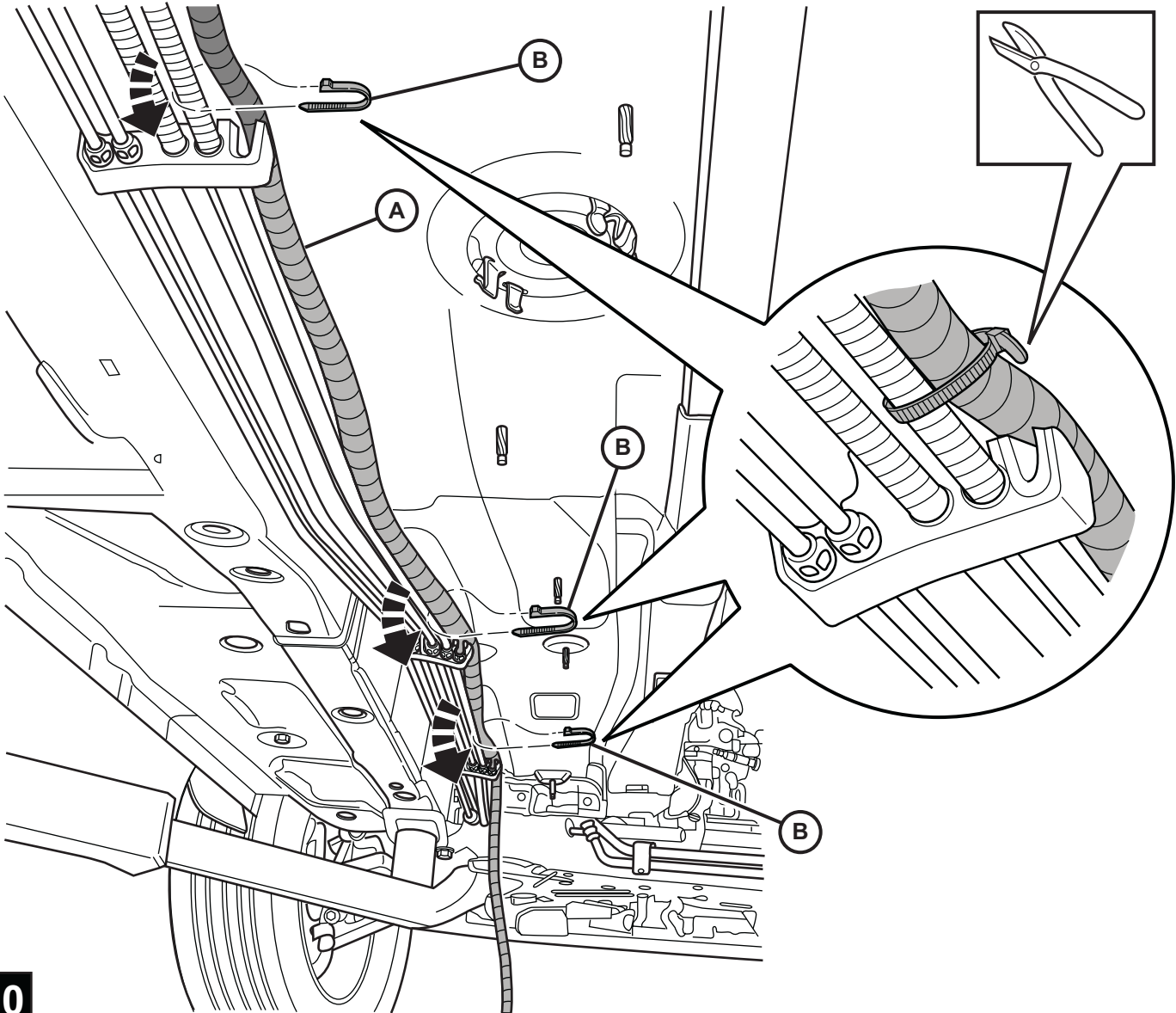
18

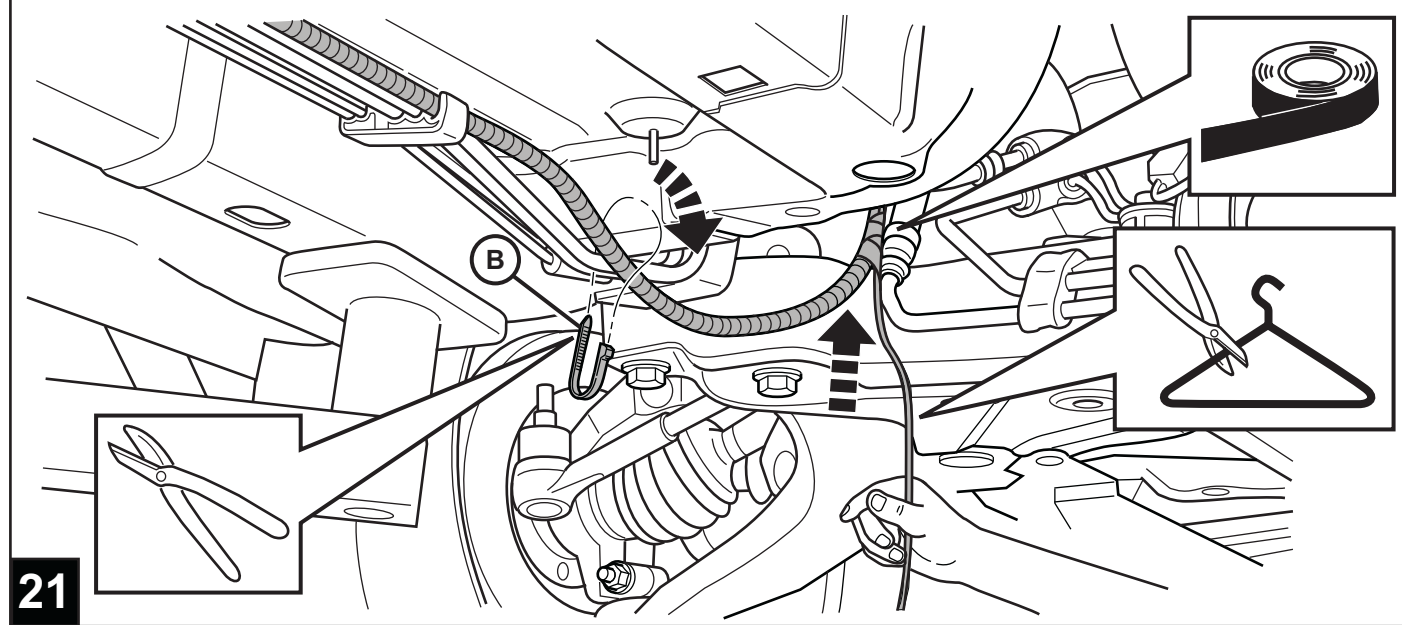


19

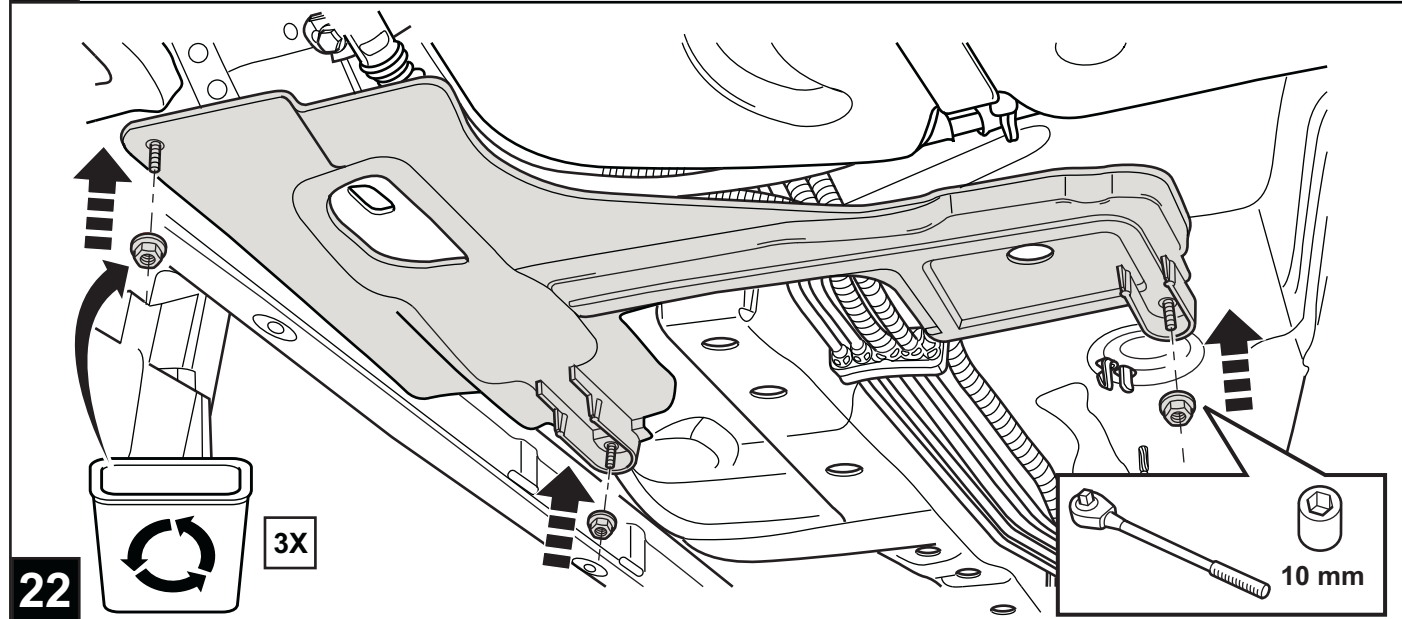


20



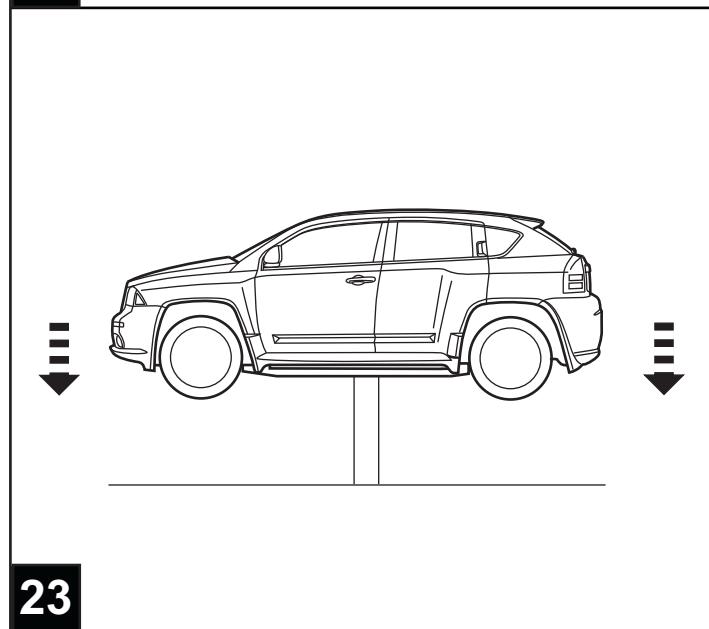


21

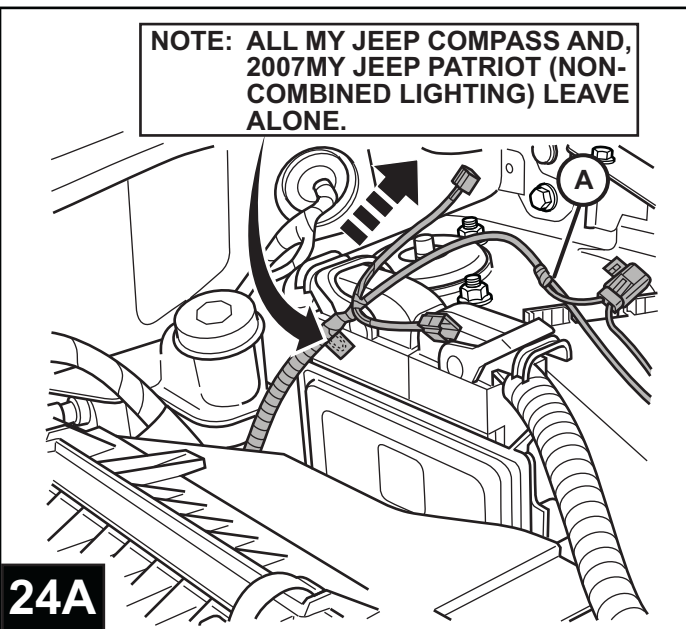


22

NOTE: ALL MY JEEP COMPASS AND, 2007MY JEEP PATRIOT (NON-COMBINED LIGHTING) LEAVE ALONE.

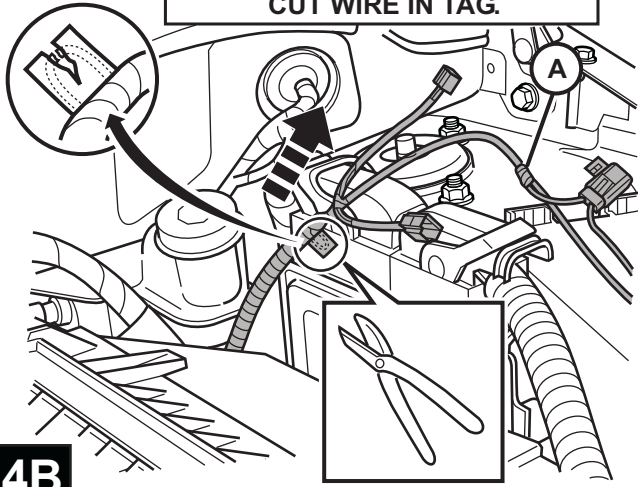


23

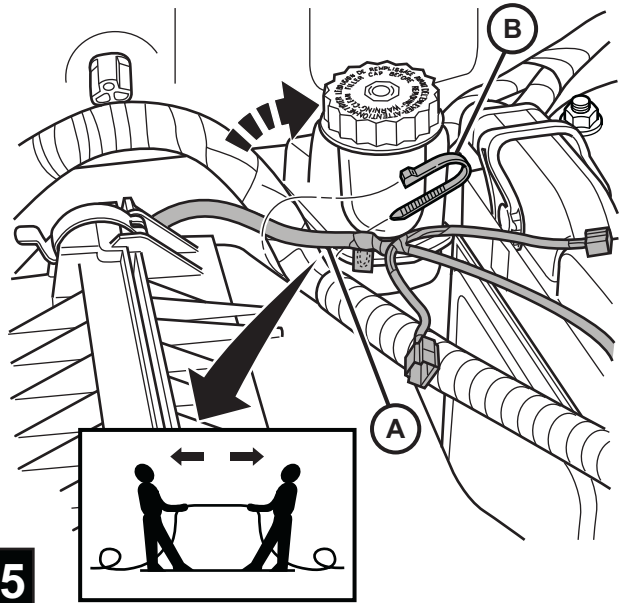


24A

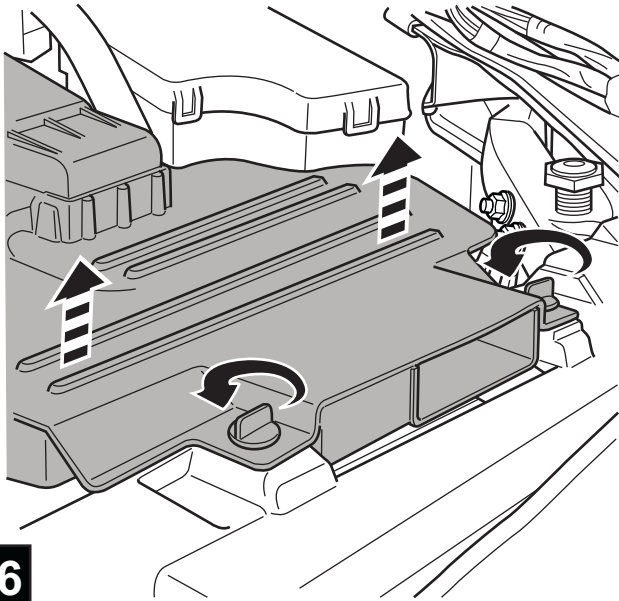
NOTE: IF 2008MY AND BEYOND  
JEEP PATRIOT,  
(COMBINED LIGHTING)  
CUT WIRE IN TAG.



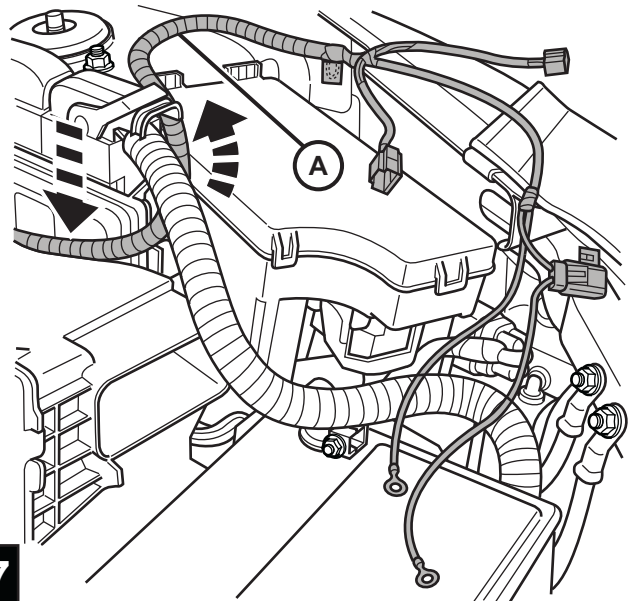
24B



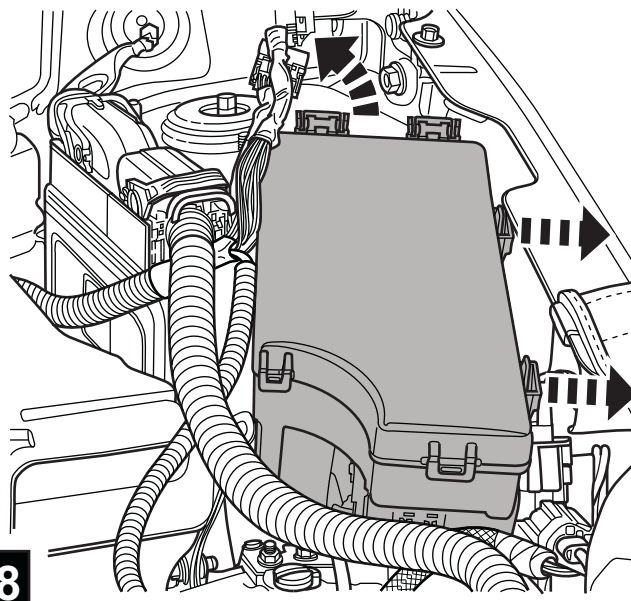
25



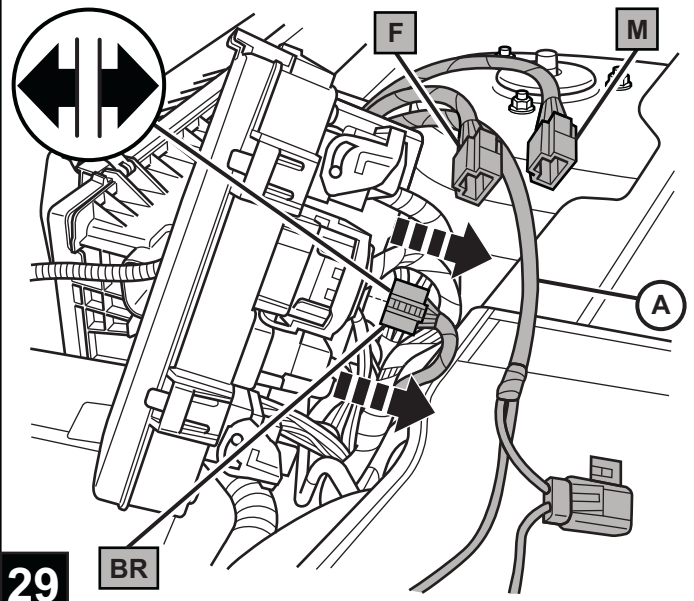
26



27

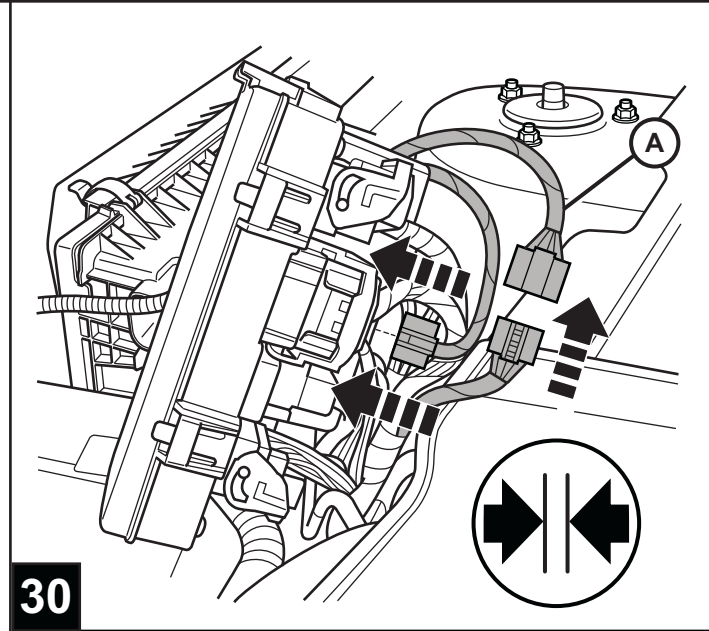


28

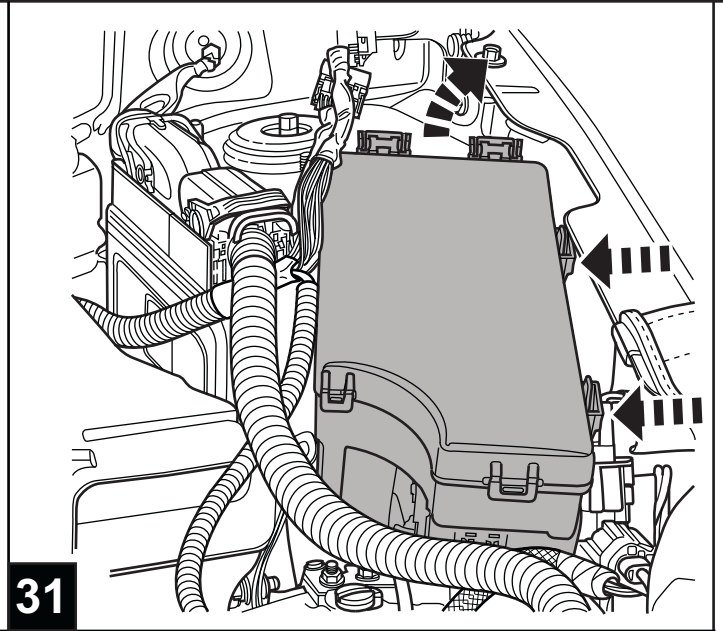


29

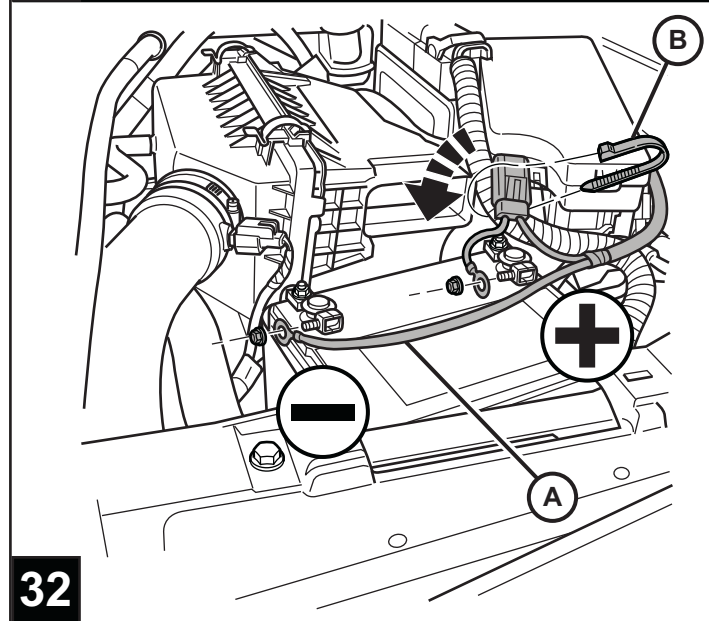




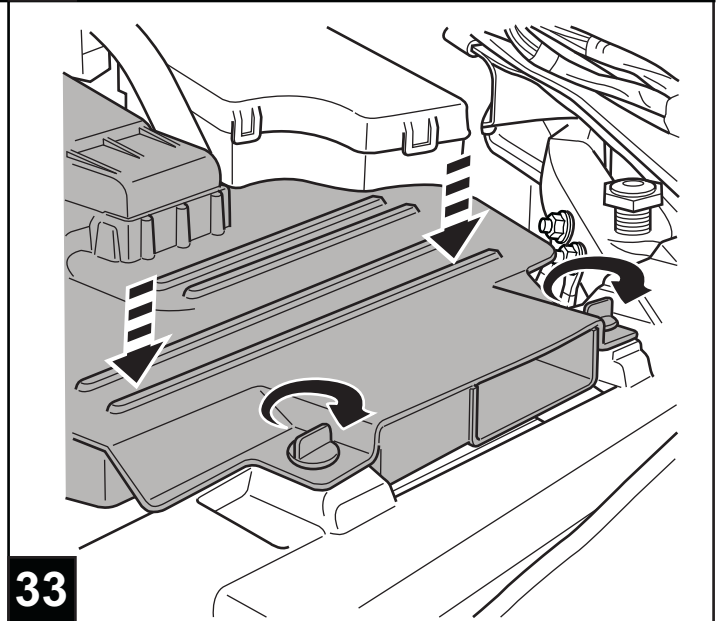
30



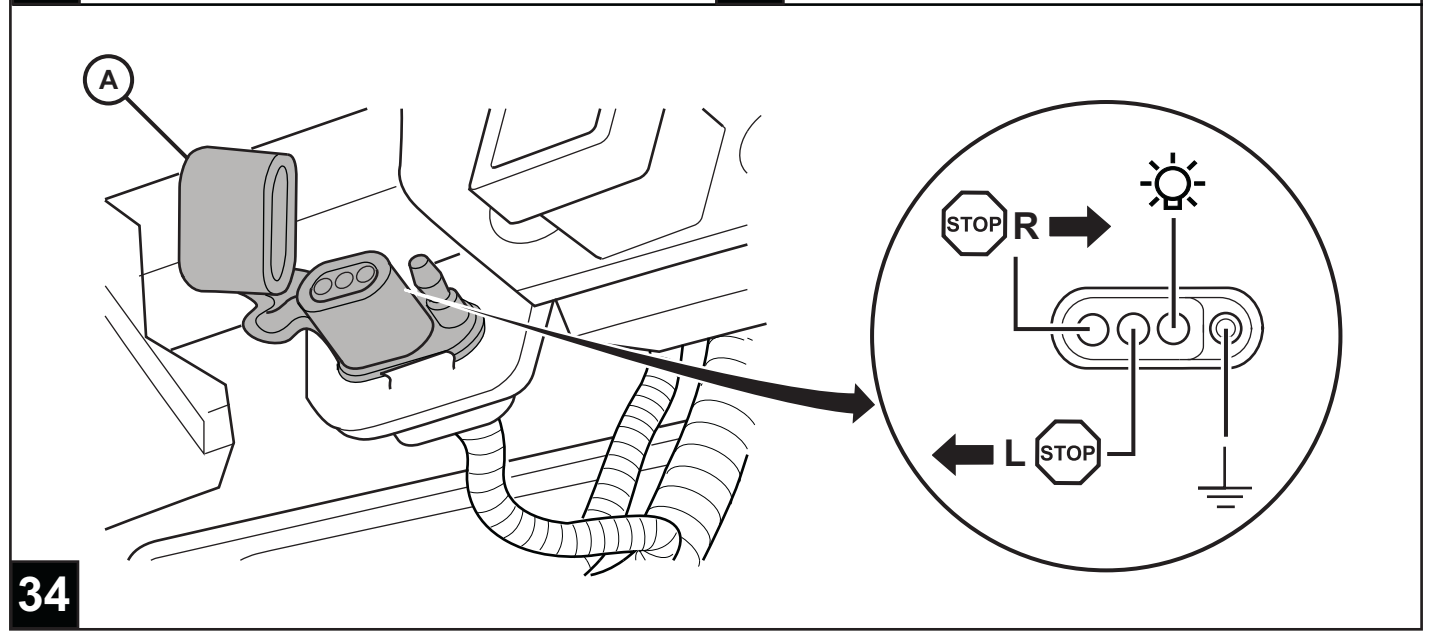
31



32



33



34