



JEEP GRAND CHEROKEE

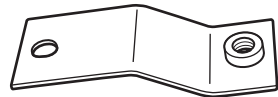
Hood Protector

Genuine Accessories



A

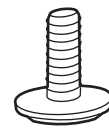
X2



X2



X4



X4



B

X6



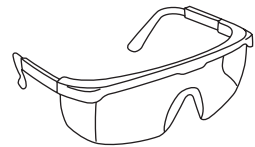
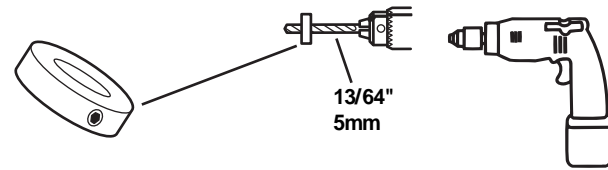
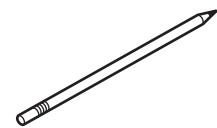
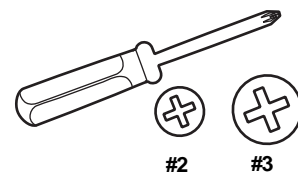
C



F

G

Tools Required / HERRAMIENTAS NECESARIAS / OUTILS NECESSAIRES



I-1033 E

© DAIMLERCHRYSLER

10/09/07

1 of 4

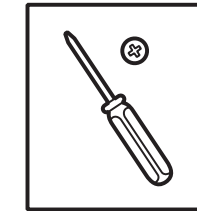
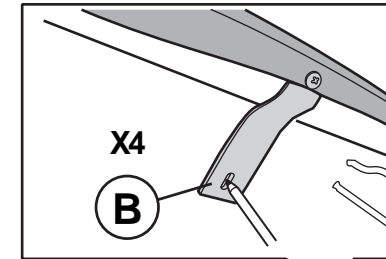
K6859474



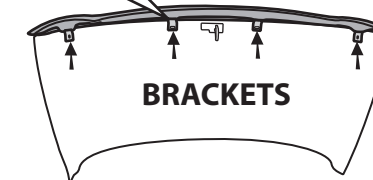
JEEP GRAND CHEROKEE

Hood Protector

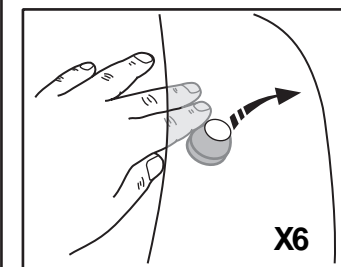
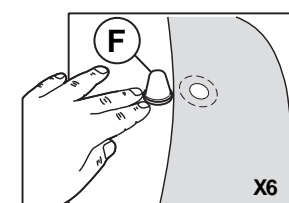
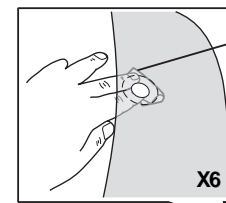
Genuine Accessories



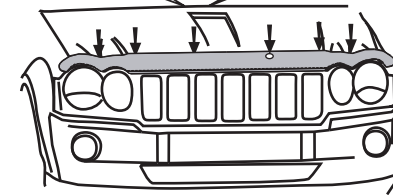
FULLY TIGHTEN!



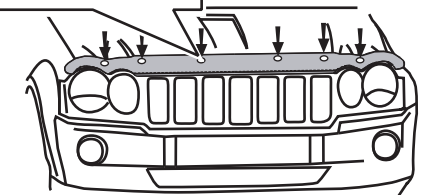
9



10



11



10/09/07

4 of 4

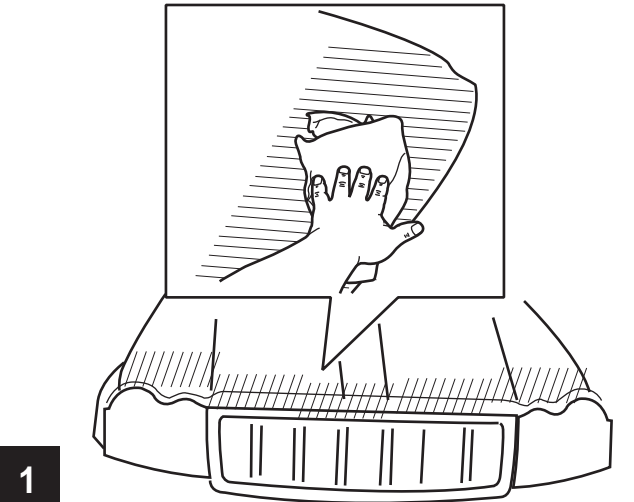
K6859474



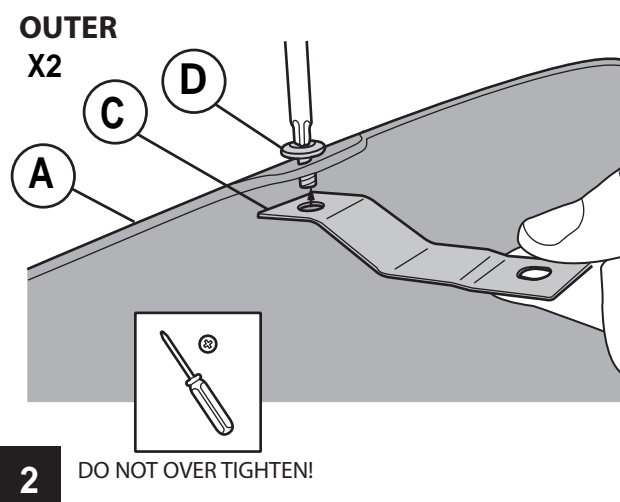
JEEP GRAND CHEROKEE

Hood Protector

Genuine Accessories



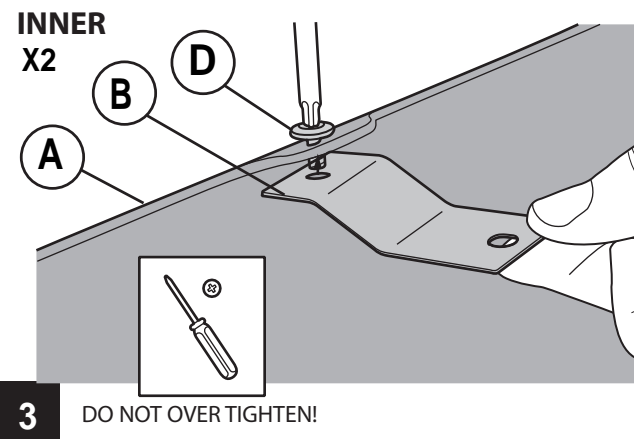
1



OUTER
X2

2

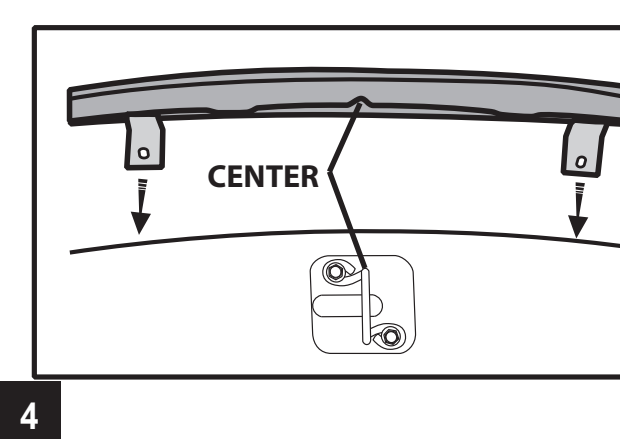
DO NOT OVER TIGHTEN!



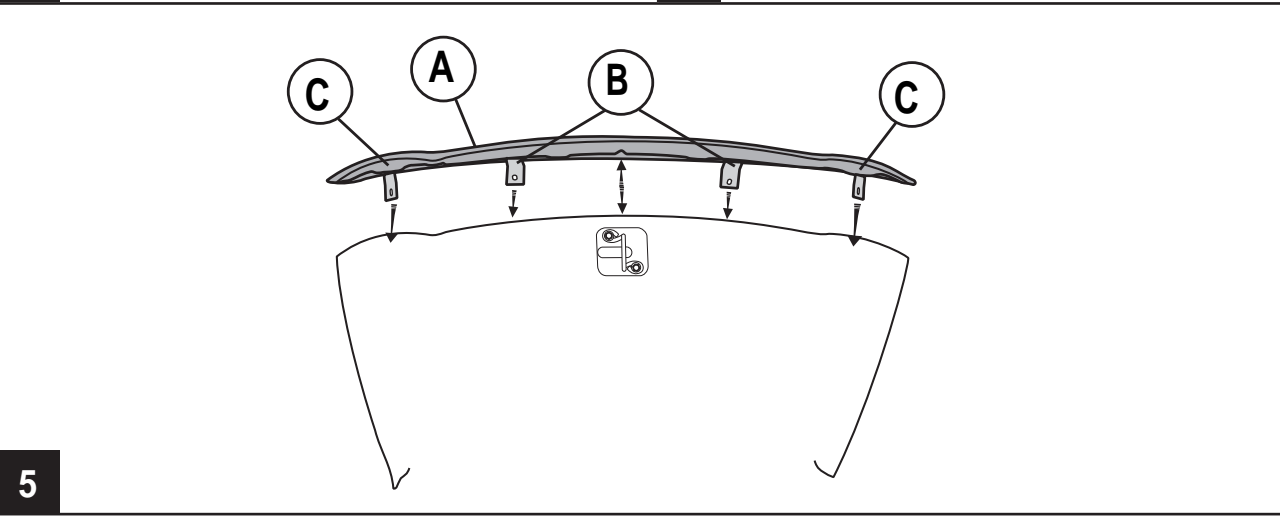
INNER
X2

3

DO NOT OVER TIGHTEN!



4



5

10/09/07

2 of 4

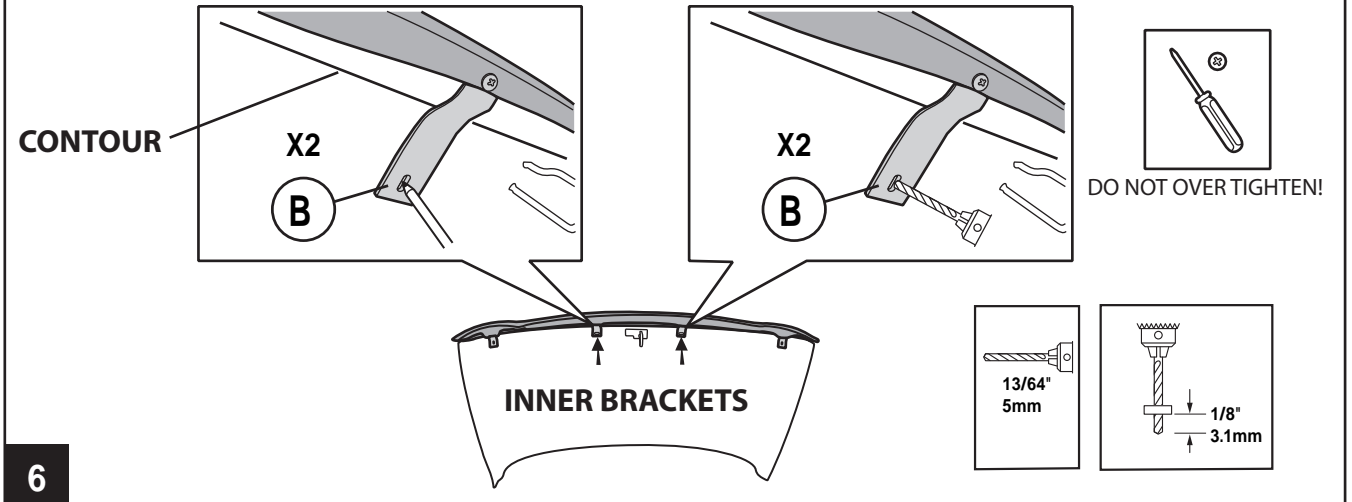
K6859474



JEEP GRAND CHEROKEE

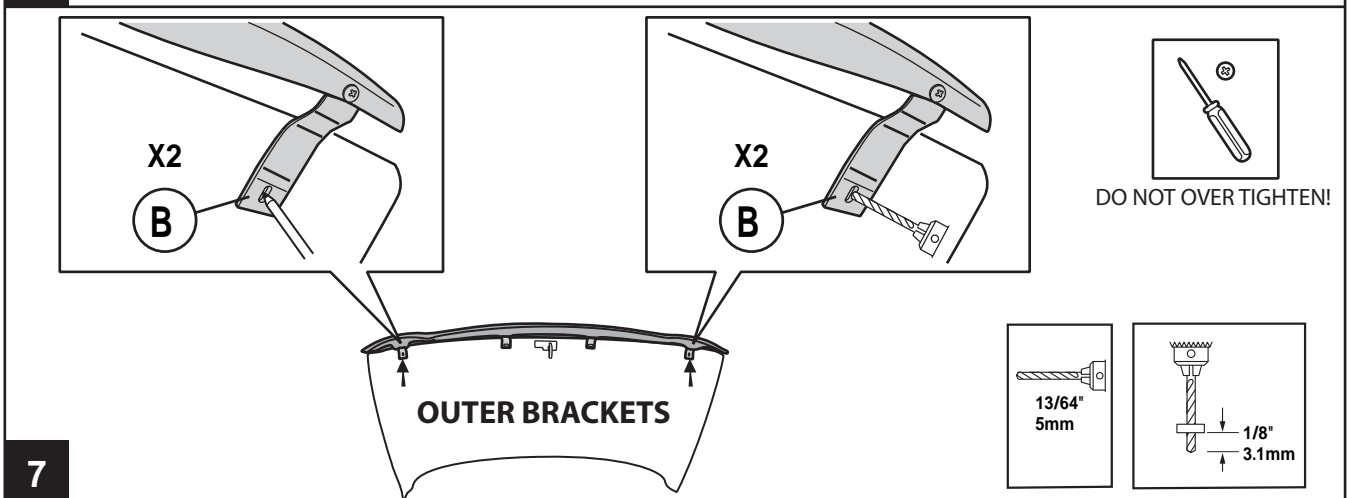
Hood Protector

Genuine Accessories



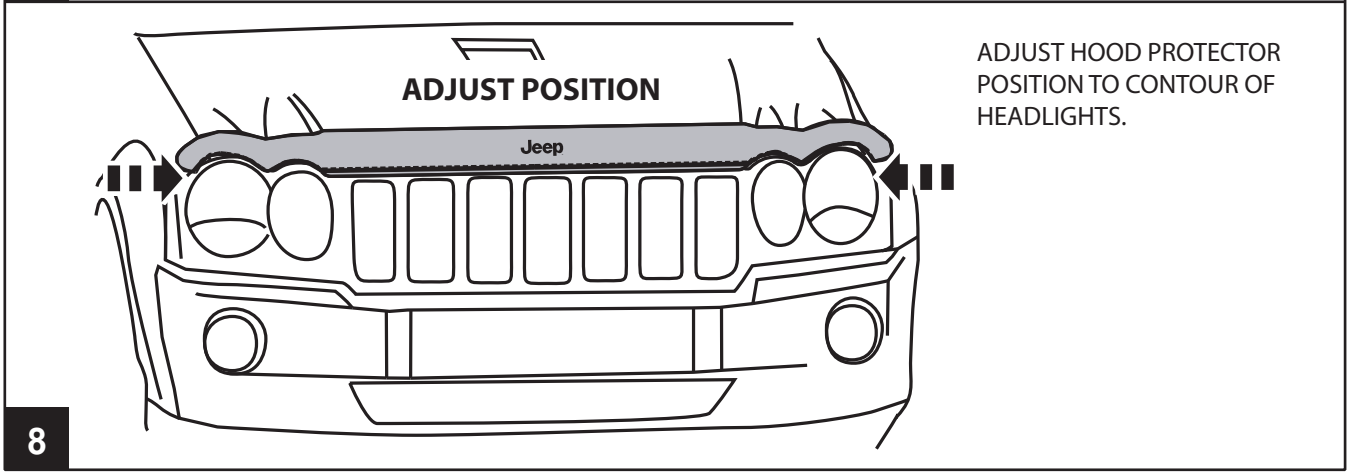
6

DO NOT OVER TIGHTEN!



7

DO NOT OVER TIGHTEN!



8

ADJUST HOOD PROTECTOR
POSITION TO CONTOUR OF
HEADLIGHTS.

10/09/07

3 of 4

K6859474